

# Z-Edge 7000

## Integrated Access System

- ✓ **Complete Selection of Plug-In Solutions for Voice, Data and IP**
- ✓ **Integrated Processing Features**
  - Digital cross-connect
  - T1/E1 conversion
  - Voice compression
- ✓ **Complete System Management**
  - Local and remote
  - External alarm monitoring
- ✓ **Powerful Diagnostic and Fault Isolation**

### Note:

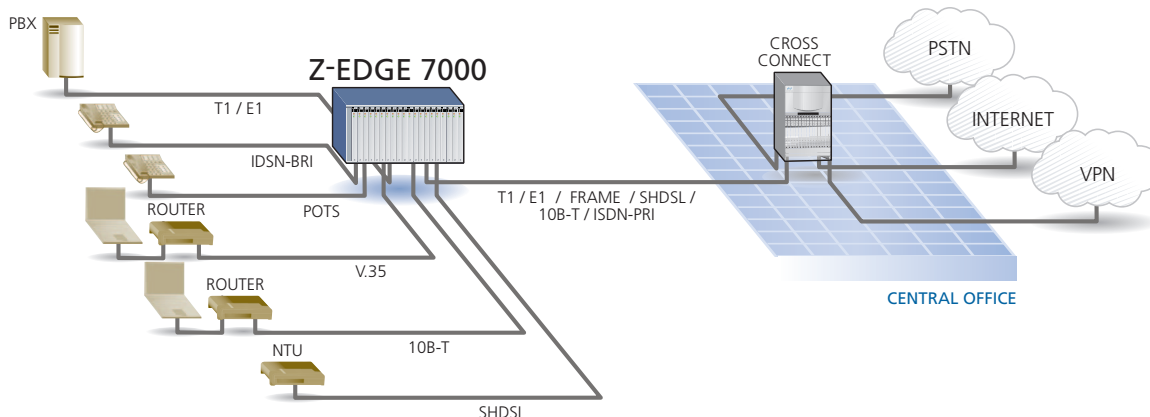
*The Z-Edge 7000 is only offered outside of North America.*

## Integrated One-Box Solution for Advanced Voice and Data Applications



The Z-Edge 7000 is a cost-effective access system that is unrivaled in its network versatility. A complete line of interface modules is available, supporting a wide range of applications for voice, data, and integrated services for landline and wireless networks.

Advanced signal processing options include an integrated digital cross-connect, T1/E1 conversion and industry-standard voice compression, all supporting optimized use of back-haul facilities. And with full remote management capabilities and a powerful array of network diagnostic capabilities, the Z-Edge 7000 delivers exceptional value and performance.



*Z-Edge 7000 is unrivaled in network versatility, supporting circuit, packet and cell-switching on a single platform.*



**Technical Specifications**

**System Highlights**

- Up to 8 T1/E1/SHDSL interfaces
- Complete system redundancy
- Fully manageable via SNMP-based network management system (NMS)
- Interchangeable set of WAN, subscriber and server cards to match specific applications

**Chassis**

- Dimensions: 9.0 in. x 17 in. x 15.3 in. / 22.86 cm x 43.2 cm x 38.86 cm (HWD)
- 18 slots

**Power**

- 120 / 240 VAC
- -48 VDC
- Power consumption: 125 W (max)
- Output Power: 55 W continuous
- AC-to-DC power converter (-48 VDC)
- Dual feed & redundancy
- Ring generation

**Applications**

- Analog voice (FXS, FXO, E&M)
- ISDN PRI services
- ISDN BRI services (Lease Line, BRTE)
- ISDN video conference & broadcast
- Voice compression
- Automatic call center distribution connectivity
- Digital data service
- Fractional T1/E1
- Frame relay
- LAN services / Ethernet
- Internet access
- T1/E1 conversion

**Interfaces**

- T1 (Up to 8)
- E1 (Up to 8)
- T1 or E1 SHDSL (Up to 8)
- V.35, RS-530, RS-232, RS-449, V.24, DDS, BRI-U, BRI S / T, SLC96, 10BaseT
- SHDSL

**Standards Compliance**

- ANSI 310-D
- UL 459, 1459, EN60950
- Bellcore TR-TSY-000008
- CE EN 500 81-1, 500 82-1, 55022, FCC part 15
- FCC part 68, CTR 12, CTR 13, ACA T5016
- IEC 297-1
- ITU-G703, G.704, G.732, G.735, G.736, G.823, G.824, G.991.2

**Management Interfaces**

- Connectivity: modem, SLIP, PPP, FDL time slot 24 (T1) or SAA time slot 31 (E1), ISDN D-channel, frame relay PVC
- Interface: SNMP
- RS-232, VT-100 craft interface
- SNMP-based
- Supports TELNET for emulation of craft interface
- IP addressing for node addresses

**Physical**

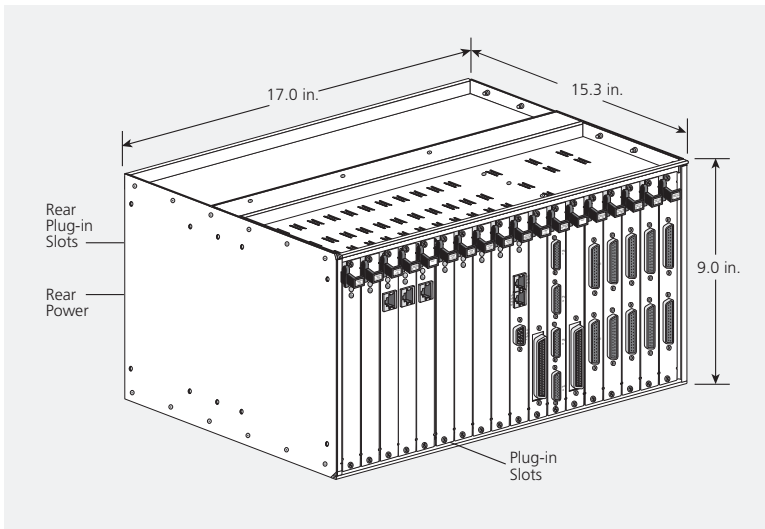
**Clocking**

- Stratum 4
- Sources: internal, T1, E1, digital interface, external clocking

**Redundancy**

- Power supply
- CPU
- WAN interfaces
- ADPCM

**Z-Edge 7000**



**Z-Edge 7000 Subscriber Interfaces**

Subscriber	Ports/Card	Ports/Chassis
■ Analog Voice (FXS, FSO, E&M)	8	62
■ ISDN (BRI-U, BRI-S/T)	8	64
■ V.35, RS-530, RS-449	2, 4	32
■ RS-232, V.24 (SRU)	10	80
■ DDS (OCU-DP)	2, 5, 10	80
■ Ethernet, 10B-T	1	8
■ Frame Relay	1	3
■ SHDSL	4	32

**Z-Edge 7000 WAN Interfaces**

Interfaces
■ 8 T1/E1
■ ISDN Primary Rate
■ Ethernet 2.0 Mbps
■ Frame Relay 2.0 Mbps
■ SHDSL



Zhone Technologies, Inc.  
 @ Zhone Way  
 7001 Oakport Street  
 Oakland, CA 94621  
 510.777.7000 phone  
[www.zhone.com](http://www.zhone.com)

**About Zhone Technologies, Inc. (Zhone)**

Zhone Technologies, Inc. (NASDAQ: ZHNE) is the first company dedicated solely to delivering the full spectrum of next-generation local loop access equipment. Zhone's multi service products allow carriers to concurrently deliver voice, new premium data and video services over copper or fiber access lines. Zhone provides carriers with an elegant migration from legacy circuit-based technology to packet-based networks while substantially reducing operating costs. With deployments at over 250 carriers including among some of the world's largest networks, Zhone has enabled carriers to reinvent their businesses.

For more information about Zhone and its products, please visit the Zhone Web site at [www.zhone.com](http://www.zhone.com) or e-mail [info@zhone.com](mailto:info@zhone.com)

Zhone, the Zhone logo, and all Zhone product names are trademarks of Zhone Technologies, Inc. Other brand and product names are trademarks of their respective holders. Specifications, products, and/or product names are all subject to change without notice. Copyright 2004 Zhone Technologies, Inc. All rights reserved.