



ACCULINK® 3100 Series CSU Wall-Mount/Rack-Mount Adapter

Feature Number 3100-F1-400

Installation Instructions

Document Number 3150-A2-GZ41-30

November 1996

Overview

This document contains procedures for installing the ACCULINK 3100 Series CSU Wall-Mount/Rack-Mount Adapter on a wall, equipment shelf, 19-inch RS-310-C equipment cabinet, or 23-inch AT&T DATAPHONE® equipment cabinet. While these procedures reference the 3100 Series unit, this Wall-Mount/Rack-Mount Adapter can be used with any Paradyne product unit with the same base as the 3150 CSU or expanded housing as the 3160/3164 DSU/CSU. This includes the following families: 3100, 3500, 3600, 3800, and 3900.

<p style="text-align: center;">HANDLING PRECAUTIONS FOR STATIC-SENSITIVE DEVICES</p>

<p>This product is designed to protect sensitive components from damage due to electrostatic discharge (ESD) during normal operation. When performing installation procedures, however, take proper static control precautions to prevent damage to equipment. If you are not sure of the proper static control precautions, contact your nearest sales or service representative.</p>

Preinstallation Check

Verify that the Wall-Mount/Rack-Mount Adapter package includes the following parts:

Quantity	Equipment	Part Number
1	Wall-Mount/Rack-Mount Bracket	870-1913-0014
2	17" Velcro® brand Straps	870-1770-0022
1	L Bracket	870-1915-0023
1	DATAPHONE L Bracket	870-1914-0023
4	#6 x 1.0" Screws	506-0025-0031
2	#12-24 Screws	503-0002-0131
3	#10-32 Screws	500-2405-1032
2	Clip Nuts	302-2508-0131

You need a Phillips-head screwdriver to install the Wall-Mount/Rack-Mount Bracket with the enclosed screws.

The #6 x 1.0 inch screws provided are for use with wood or drywall walls. You need to provide your own special screws for concrete or masonry walls.

Installation Procedures

To install the Wall-Mount/Rack-Mount Adapter, perform the following steps:

- Attach the Velcro straps to the Wall-Mount/Rack-Mount Bracket.
- Attach the Wall-Mount/Rack-Mount Bracket to a wall, equipment shelf, or equipment cabinet.
- Slide the unit into the bracket and tighten the straps to secure the unit into place.

Procedures for each of these steps appear below.

NOTE

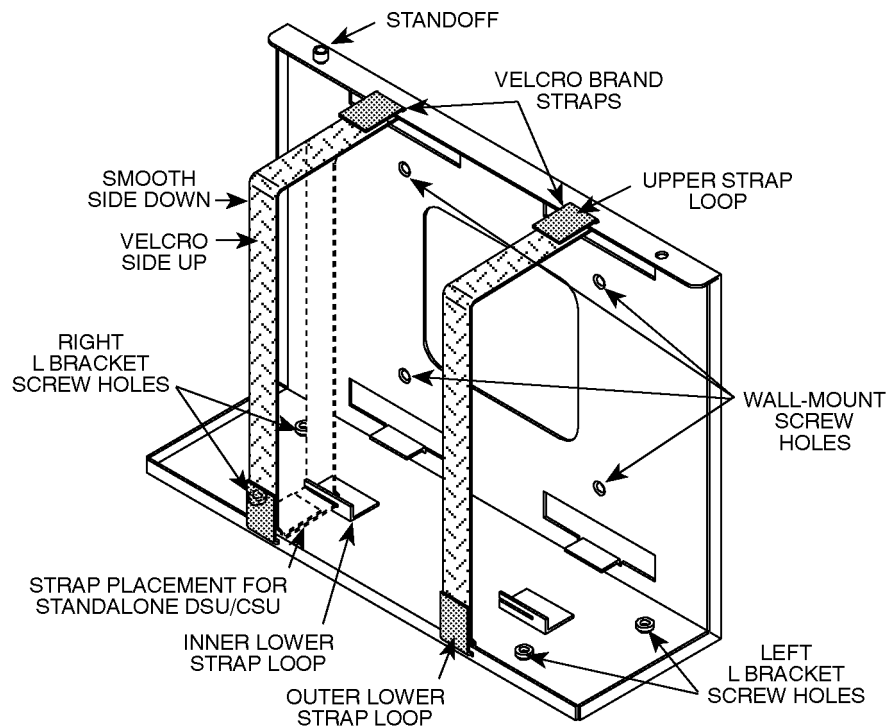
The hardware included in this Wall-Mount/Rack-Mount Adapter package allows installation in only a 19-inch RS-310-C or 23-inch DATAPHONE equipment cabinet. It is possible to install two units side-by-side in either of the cabinets using two Wall-Mount/Rack-Mount Adapter packages.

Attaching the Straps to the Wall-Mount/Rack-Mount Bracket

To attach the straps to the Wall-Mount/Rack-Mount Bracket, use the following procedure:

1. Hold the strap with the smooth side down. Starting from the inside, slip one end of the strap through the outer lower strap loop of the Wall-Mount/Rack-Mount Bracket. Slip the strap in approximately one inch. Refer to Figure 1.
2. Secure the strap in place by pressing the one-inch segment of the strap in contact with the remaining length of the strap.
3. If you are mounting a unit with expanded housing, skip to Step 4. If you are mounting a base unit, make sure there are no twists in the strap, then slip the open end of the strap through the inner lower strap loop. Remove any slack between the outer lower strap loop and the inner lower strap loop. Refer to Figure 1.
4. Allow the open end of the strap to hang freely. This enables you to attach the Wall-Mount/Rack-Mount Bracket to the wall, shelf, or cabinet without obstruction from the strap.
5. Repeat Steps 1–4 for the remaining strap.

You are now ready to attach the Wall-Mount/Rack-Mount Bracket to a wall, equipment shelf, or equipment cabinet.



495-14311-02

Figure 1. Wall-Mount/Rack-Mount Bracket with Straps Attached

Attaching the Wall-Mount/Rack-Mount Bracket to a Wall

To attach the Wall-Mount/Rack-Mount Bracket to a wall, use the following procedure:

1. Determine where on the wall the unit should reside. Make sure the position you choose does not exceed the distance from the power source and other cable connections based on the length of cable already connected to the unit.

NOTE

For safety reasons, make sure you position the Wall-Mount/Rack-Mount Bracket so that the bottom pan is parallel with the floor.

2. Insert the four #6 x 1.0 inch screws provided, or your own special screws, through the Wall-Mount/Rack-Mount screw holes on the back of the Wall-Mount/Rack-Mount Bracket and into the wall. Refer to Figure 1.

You are now ready to attach the unit to the Wall-Mount/Rack-Mount Bracket. Refer to the *Attaching the Unit to the Wall-Mount/Rack-Mount Bracket* procedure later in this document.

Attaching the Wall-Mount/Rack-Mount Bracket to an Equipment Shelf

To attach the Wall-Mount/Rack-Mount Bracket to an equipment shelf, use the following procedure:

1. Determine where on the shelf the unit should reside. Make sure the position you choose does not exceed the distance from the power source and other cable connections based on the length of cable already connected to the unit.

NOTE

For safety reasons, make sure you position the Wall-Mount/Rack-Mount Bracket so that the bottom pan is parallel with the floor.

2. Using the Wall-Mount/Rack-Mount screw holes on the back of the Wall-Mount/Rack-Mount Bracket as a template, drill four holes in the equipment shelf.
3. Insert the four #6 x 1.0 inch screws provided, or your own special screws, through the Wall-Mount/Rack-Mount screw holes on the back of the Wall-Mount/Rack-Mount Bracket and into the equipment shelf.

You are now ready to attach the unit to the Wall-Mount/Rack-Mount Bracket. Refer to the *Attaching the Unit to the Wall-Mount/Rack-Mount Bracket* procedure later in this document.

Attaching the Wall-Mount/Rack-Mount Bracket in an Equipment Cabinet

CAUTION

Before you install the unit in an equipment cabinet, make sure the operating environment inside the cabinet falls within the following ranges:

Temperature: 32°F to 122°F (0°C to 50°C)

Humidity: 5% to 95% (noncondensing)

To attach the Wall-Mount/Rack-Mount Bracket in an RS-310-C or DATAPHONE equipment cabinet, use the following procedure:

1. Determine which L bracket you need to use. Refer to Figure 2.

If you want to install two units side-by-side in a 19-inch RS-310-C equipment cabinet, use the L bracket marked 870-1915-0023.

If you want to install two units side-by-side in a 23-inch DATAPHONE equipment cabinet, use the L bracket marked 870-1914-0023.

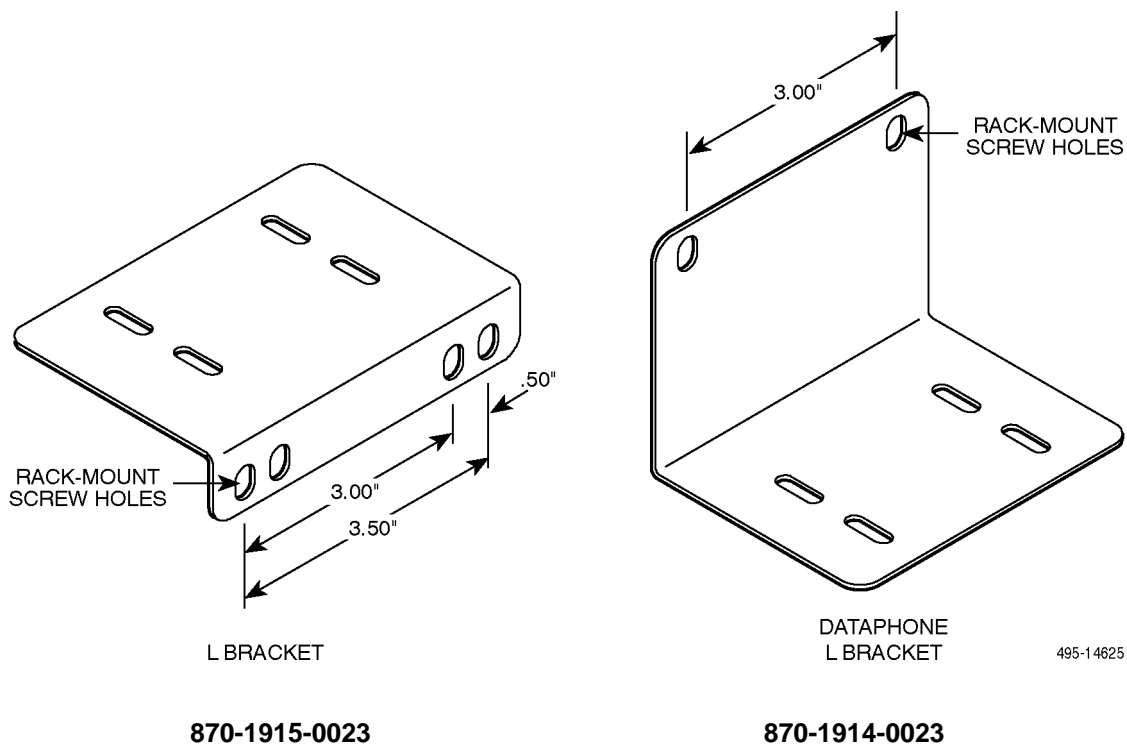


Figure 2. RS-310-C and DATAPHONE L Brackets

-
2. Fasten Wall-Mount/Rack-Mount brackets to each other using two #10-32 screws and standoffs. Refer to Figure 3.

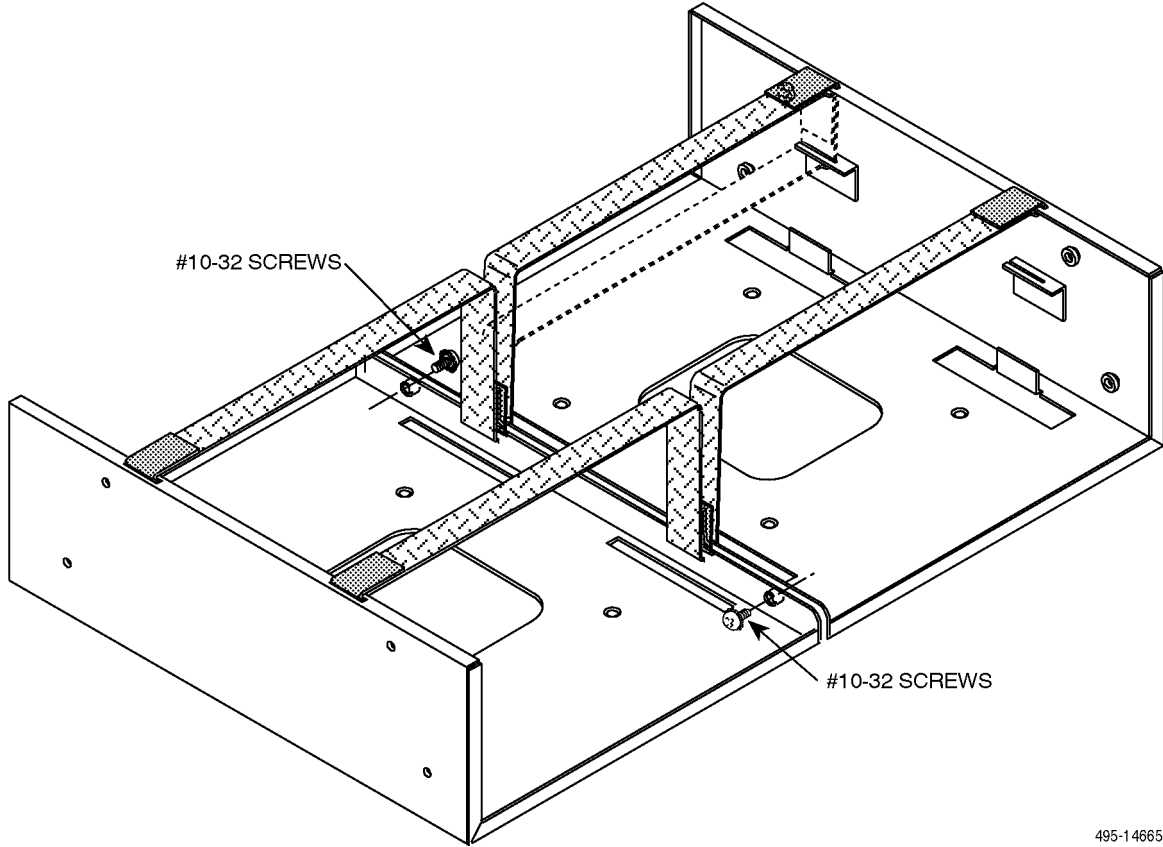
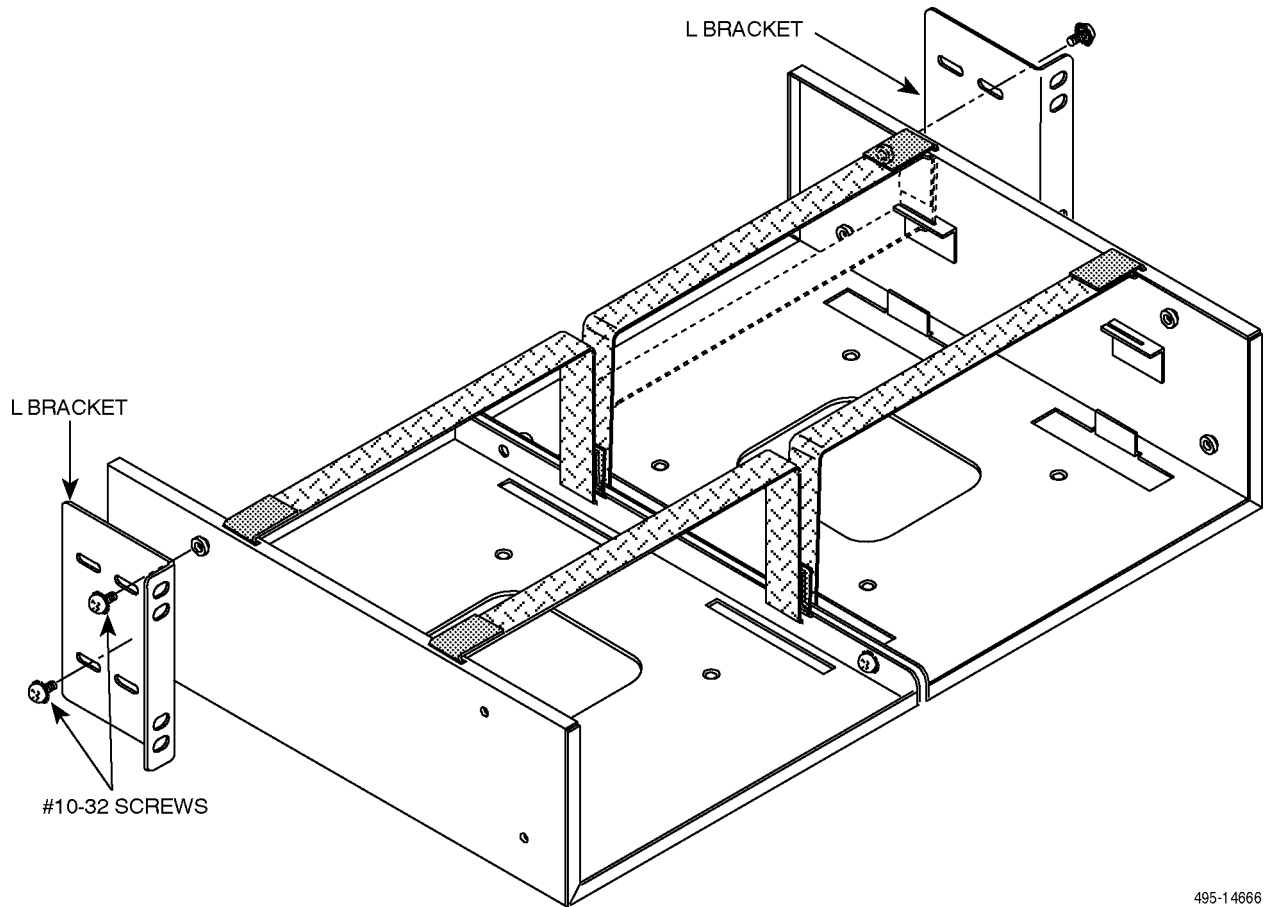


Figure 3. Side-by-Side Installation of Wall-Mount/Rack-Mount Brackets

3. Insert the #10-32 screws provided through the L bracket and into the left or right L bracket screw holes on the Wall-Mount/Rack-Mount Bracket, as needed. Refer to Figure 4.



495-14666

Figure 4. L Bracket Attachment to the Wall-Mount/Rack-Mount Bracket

4. Position the two clip nuts on the Rack-Mount Rail inside the equipment cabinet at the proper spacing and desired height. Refer to Figure 5. Proper spacing for the RS-310-C cabinet is 1.75 inches and for the DATAPHONE cabinet is 1 inch.
5. Insert the two #12-24 screws provided through the rack-mount screw holes on the L bracket and into the Rack-Mount Rail in the equipment cabinet. Refer to Figure 5.

You are now ready to attach the unit to the Wall-Mount/Rack-Mount Bracket.

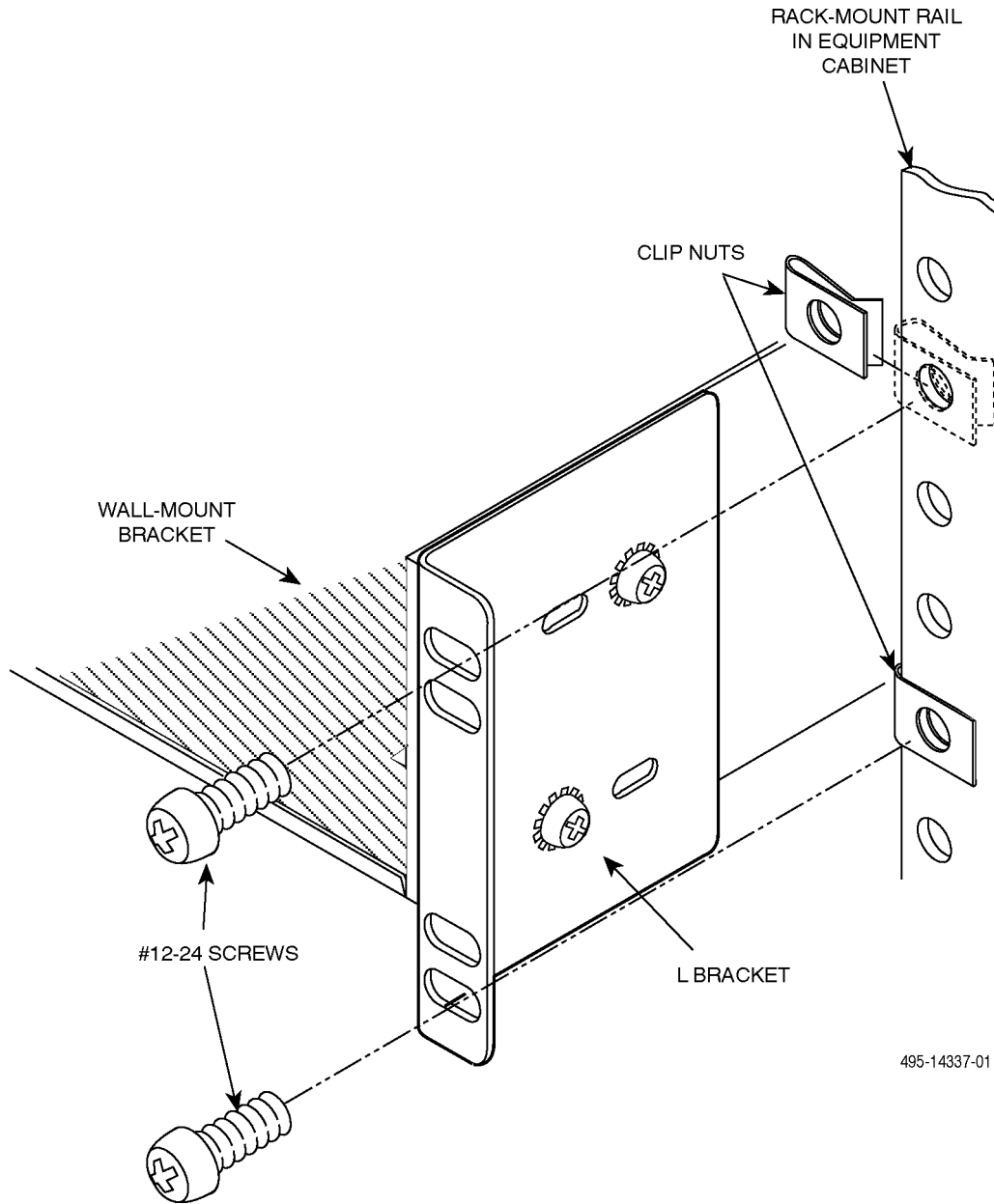


Figure 5. L Bracket Attachment to the Rack-Mount Rail

Attaching the Unit to the Wall-Mount/Rack-Mount Bracket

To attach the unit to the Wall-Mount/Rack-Mount Bracket, use the following procedure:

1. Make sure there are no twists in the straps, then slip the open end of each strap through the upper strap loop starting from the bottom. Slip the strap in approximately one inch. Leave enough slack to slide the unit into the bracket. Refer to Figure 1.
2. Slide the front end of the unit into the bracket, making sure the front panel is visible, until the entire unit fits snugly between the lips on either side of the bracket.
3. Tighten the straps to secure the unit into place by pulling up or out on each strap and pressing the excess portion of the strap in contact with the length of the strap holding the unit in place.

Wall-Mount/Rack-Mount Adapter installation is now complete.