

## COMSPHERE 3825*Plus* Modems Ferrite Choke Installation Instructions Document Number 3825-A2-GK40-00

June 1995

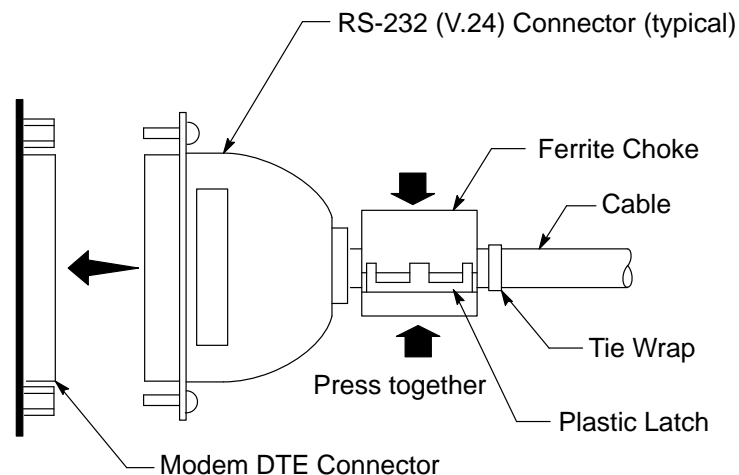
### Overview

This document describes the procedure for installing a ferrite choke onto an RS-232 (V.24) cable. This is the cable that connects your modem to a PC or other Data Terminal Equipment (DTE). **To ensure compliance with FCC Part 15 Regulations, a ferrite choke must be installed on the DTE cable.**

### Installation

Use the following procedure to install the ferrite choke.

1. Locate the end of the DTE cable that attaches to your modem. Open the ferrite choke and place it around the cable as close to the cable connector as possible.
2. Close the two halves around the cable and snap the choke shut, pressing down on the plastic latch to secure it in place.
3. Add a tie wrap as shown to prevent the ferrite chokes from slipping down the cable.



**Ferrite Choke Installation**

---