



Pole Mounting Kits for the 4300 6U Outdoor Cabinet
Models PDN-4300-F1-600 and PDN-4300-F1-610
Installation Instructions
Document Number 4300-A2-ZZ49-00
November 2005

Product Overview

The Model PDN-4300-F1-600 and PDN-4300-F1-610 Pole Mounting Kits are used for mounting the 4300 6U Outdoor Cabinet to a solidly anchored and supported pole from the back of the cabinet. Model PDN-4300-F1-600 is for a cabinet without a battery pedestal and PDN-4300-F1-610 is for a cabinet with a battery pedestal. See the figures on the following pages for details.

The mounting bracket is constructed of heavy gauge steel with a powder coat painted finish for superior corrosion resistance.

Inspecting Shipment

On receipt of the equipment:

- Inspect the shipping container(s) and note any signs of damage. Then unpack the container(s) and carefully inspect for damage to the contents. If the equipment has been damaged in transit, immediately report the extent of damage to the transportation company and to your sales representative. Order replacement equipment, if necessary.
- Check the packing list to ensure complete and accurate shipment of all listed items. If the shipment is short or irregular, contact your sales representative. If the equipment must be stored for a prolonged period, do so in the equipment's original container. If equipment ever needs to be returned, please use the original packaging if available.

Zhone Technologies
@Zhone Way
7001 Oakport Street
Oakland, CA 94621
USA

Copyright © 2005
Zhone Technologies, Inc.

Pole Mounting – Cabinet without Pedestal

Use this procedure to mount the cabinet on a 6 to 8 inch diameter pole. See the figure below for a cabinet mounting illustration.

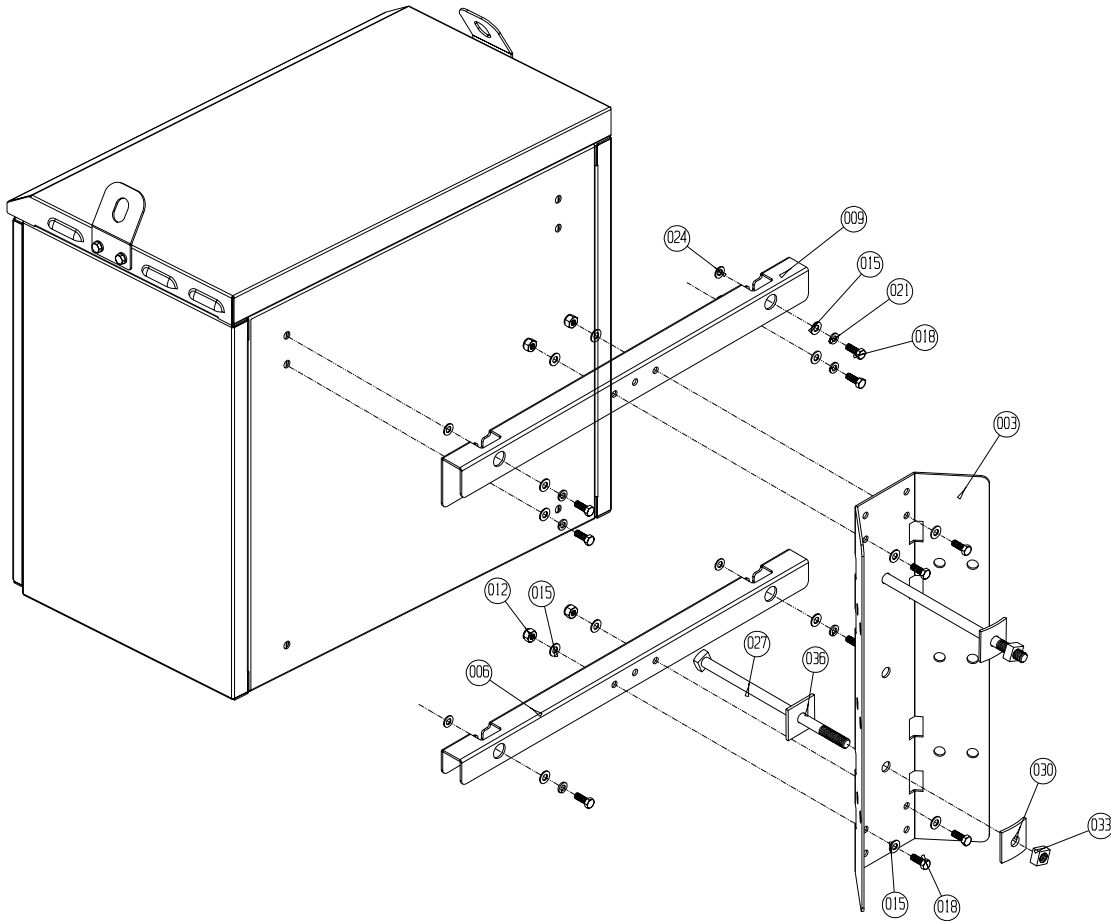


Figure A - Pole Mounting Diagram (Cabinet without Pedestal)

Table 1 - Pole Mounting without Pedestal

Item No.	Qty	Description
003	1	Bracket, Vertical Pole Mount, 10U/13U
006	1	Bracket, Lower Pole Mount, Access
009	1	Bracket, Upper Pole Mount
012	4	Nut, Nylon Top Lock 3/8"
015	14	Washer, 3/8" Stainless Steel, SAE, Flat
018	10	Screw, 3/8-16 x 1", Stainless Steel, Cap
021	6	Washer, Split Lock, 3/8 ZP
024	6	Washer, 3/8", Flat, Rubber
027	2	Bolt, Square Head, 5/8-11 x 16 & Nut, Galvanized
030	2	Washer, Curved, 2 1/4 x 2 1/4 x 3/16, 5/8, Galvanized
033	2	Nut, 5/8, Galvanized (Included with Bolt)
036	2	Washer, Square, 2 1/4 x 2 1/4 x 3/16, 5/8, Galvanized

Have the following equipment ready before beginning this procedure:

- One drill
- One 3/4" x 12" drill bit
- One 9/16" wrench
- Two 15/16" wrenches
- A pencil
- Model PDN-4300-F1-600 Pole Mounting Kit

Follow this procedure for pole mounting:

1. Pre-assemble the upper and lower horizontal brackets to the vertical bracket as shown in the above Figure.
2. Select a convenient mounting location on the pole.
3. Position the mounting bracket assembly against the pole and mark on the pole the location of the two (2) 5/8 " bolts (item 27).
4. Place the mounting bracket assembly out of the way.
5. Drill two (2) 3/4" (19.05 mm) diameter holes completely through the pole at the locations marked in step 3.
6. Insert machine bolt (item 27) through mounting bracket and into the top mounting hole and press bolt and bracket flush against the pole.
7. Place round-cupped washer (item 30), with the concave side in, on bolt and finger tighten nut.
8. Repeat step 6 for the remaining bolt.
9. Secure the mounting bracket assembly to the pole by securely tightening the machine bolts to 40 ft-lbs for wooden posts and 100 ft-lbs for metal posts.

10. Using proper lifting and safety equipment, place cabinet on mounting bracket assembly using supplied 3/8" hardware and tighten to 45 ft lbs. Lifting eyelets are provided on the cabinet for hoisting it in place.
11. If the cable stubs connect to an underground cable, dress the cable down the pole. If the cable stubs connect to an aerial cable, form a drip loop in the cable and dress it up the pole to the splice case.



For mounting heights less than 7' above grade, excess bolt length may need to cut off in order to prevent a hazardous protrusion.



Lifting eyelets are provided to facilitate hoisting if desired.

Pole Mounting – Cabinet with Pedestal

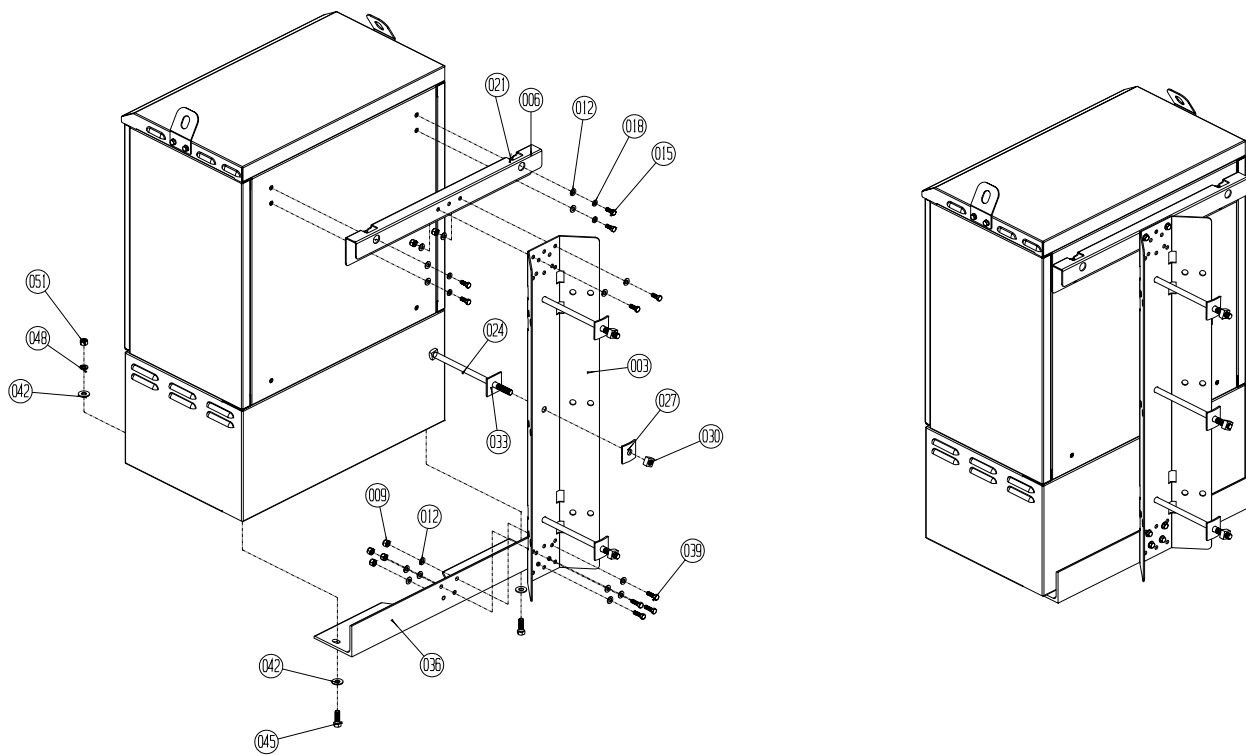


Figure B - Pole Mounting Diagram (Cabinet with Pedestal)

Table 2 - Pole Mounting with Pedestal

Item No.	Qty	Description
003	1	Bracket, Vertical Pole Mount, 13U with Pedestal
006	1	Bracket, Upper Pole Mount
009	6	Nut, Nylon Top Lock 3/8"
012	16	Washer, 3/8" Stainless Steel, SAE, Flat
015	6	Screw, 3/8-16 x 1", Stainless Steel, Cap
018	4	Washer, Split Lock, 3/8 ZP
021	4	Washer, 3/8", Flat, Rubber
024	3	Bolt, Square Head, 5/8-11 x 16 & Nut, Galvanized
027	3	Washer, Curved, 2 1/4 x 2 1/4 x 3/16, 5/8, Galvanized
030	3	Nut, 5/8, Galvanized (Included with Bolt)
033	3	Washer, Square, 2 1/4 x 2 1/4 x 3/16, 5/8, Galvanized
036	1	Bracket, Lower Pole Mount, Pedestal Support
039	4	Bolt, 3/8 x 1 1/4 Hex ZP
042	4	Flat Washer, 1/2" Type 316 Stainless Steel
045	2	Bolt, 1/2-13 X 1-1/2" Hex Head
048	2	Washer, Split, 1/2" Stainless Steel
051	2	Hex Nut, 1/2-13 Type 316 Stainless Steel

Have the following equipment ready before beginning this procedure:

- One drill
- One 3/4" x 12" drill bit
- One 9/16" wrench
- Two 15/16" wrenches
- One 3/4" wrench
- A pencil
- Model PDN-4300-F1-610 Pole Mounting Kit

Follow this procedure for pole mounting:

1. Pre-assemble the upper and lower horizontal brackets (items 6 and 36) to the vertical bracket (item 3) as shown in the above Figure.
2. Select a convenient mounting location on the pole.
3. Position the mounting bracket assembly against the pole and mark on the pole the location of the three (3) 5/8 " bolts (item 24).
4. Place the mounting bracket assembly out of the way.

5. Drill three (3) 3/4" (19.05 mm) diameter holes completely through the pole at the locations marked in step 2.
6. Insert machine bolt (item 24) through mounting bracket and into the top mounting hole and press bolt and bracket flush against the pole.
7. Place round-cupped washer (item 27), with the concave side in, on bolt and finger tighten nut.
8. Repeat step 6 for remaining bolts.
9. Secure the mounting bracket assembly to the pole by securely tightening the machine bolts to 40 ft-lbs for wooden posts and 100 ft-lbs for metal posts.
10. Using proper lifting and safety equipment, place cabinet on mounting bracket assembly using supplied 3/8" and 1/2" hardware and tighten to 45 ft-lbs. Lifting eyelets are provided on the cabinet for hoisting it in place.
11. If the cable stubs connect to an underground cable, dress the cable down the pole. If the cable stubs connect to an aerial cable, form a drip loop in the cable and dress it up the pole to the splice case.



For mounting heights less than 7' above grade, excess bolt length may need to cut off in order to prevent a hazardous protrusion.



Lifting eyelets are provided to facilitate hoisting if desired.

Product Documentation Online

Complete documentation for the 4300 6U Outdoor Cabinet is available at www.zhone.com. Select the following document:

4300 6U Outdoor Cabinet Installation Instructions

Contacting Global Service and Support

Contact Global Service and Support (GSS) if you have any questions about this or other Zhone products. Before contacting GSS, make sure you have the following information:

- Zhone product you are using
- System configuration
- Software version running on the system
- Description of the issue

Technical Support

If you require assistance with the installation or operation of your product, or if you want to return a product for repair under warranty, contact GSS. The contact information is as follows:

E-mail	support@zhone.com
Telephone (North America)	877-ZHONEY20
Telephone (International)	510-777-7133
Internet	www.zhone.com/support

If you purchased the product from an authorized dealer, distributor, Value Added Reseller (VAR), or third party, contact that supplier for technical assistance and warranty support.

Service Requirements

If the product malfunctions, all repairs must be performed by the manufacturer or a Zhone-authorized agent. It is the responsibility of users requiring service to report the need for service to GSS.

Trademarks

All products and services mentioned herein are the trademarks, service marks, registered trademarks, or registered service marks of their respective owners.



4300-A2-ZZ49-00