

Netopia Modem Mounting Bracket Installation Instructions

Document Number 4800-A2-GN14-00

May 2003

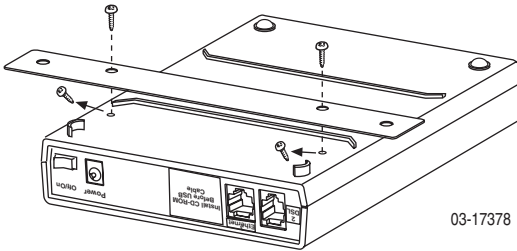
The Netopia modem mounting bracket (Feature Number 4800-F1-020) can be used to fasten the Netopia modem to a wall, or to the side or underside of a desk.

Attaching the Bracket to the Modem

► Procedure

To attach the bracket to the modem:

1. Remove the two bottom screws nearest the back panel. Discard them.
2. Locate the 5/8-inch (16-mm) #4 screws. This is the longer pair of the supplied screws.
3. Use the longer screws to fasten the bracket to the bottom of the modem. Take care not to over-tighten the screws.

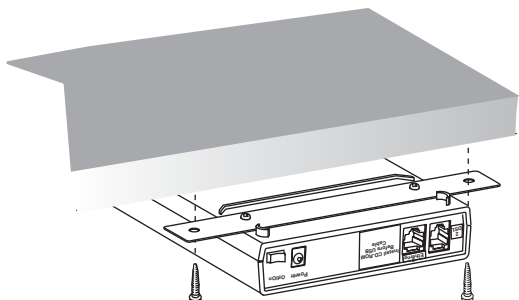


Installing the Bracket on a Wall or Desk

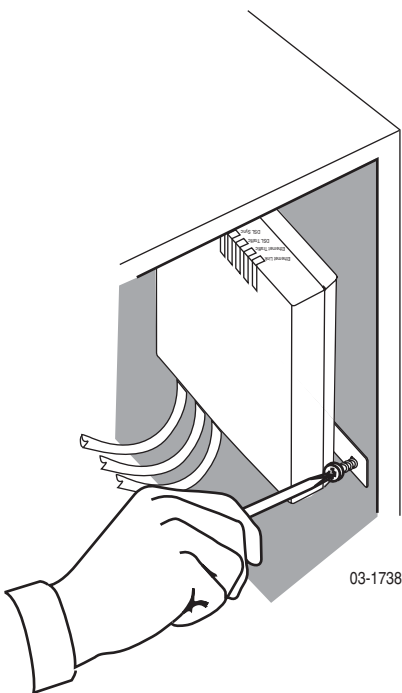
► Procedure

To attach the mounting bracket to a wall or to the side or underside of a desk:

1. Hold the modem in the desired location and mark the hole positions.
2. In hardwood or steel surfaces, drill 5/64-inch (2-mm) pilot holes at the marked hole positions.
3. For vertical mounts, it may be difficult to connect cables after the modem is fastened. In such cases connect the cables to the modem *before* fastening it to the wall or desk.
4. Fasten the bracket using the two supplied 1/2-inch (13-mm) #6 screws. Use screw anchors (not provided) in drywall or other soft materials.



03-17379



03-17380

Document Feedback

We welcome your comments and suggestions about this document. Please mail them to Technical Publications, Paradyne Corporation, 8545 126th Ave. N., Largo, FL 33773, or send e-mail to **userdoc@paradyne.com**. Include the number and title of this document in your correspondence. Please include your name and phone number if you are willing to provide additional information.

Trademarks

All products and services mentioned herein are the trademarks, service marks, registered trademarks, or registered service marks of their respective owners.



4800-A2-GN14-00