

# **BitStorm 4800 Express Model 4821-A2 Installation Guide**

March 2006

Document Part Number: 4821-A2-ZN21-30



Z H O N E<sup>™</sup>

Zhone Technologies  
@Zhone Way  
7001 Oakport Street  
Oakland, CA 94621  
USA  
510.777.7000  
[www.zhone.com](http://www.zhone.com)  
[info@zhone.com](mailto:info@zhone.com)

**COPYRIGHT 2000–2005 Zhone Technologies, Inc. All rights reserved.**

This publication is protected by copyright law. No part of this publication may be copied, distributed, displayed, modified, transmitted, stored in a retrieval system, or translated without express written permission from Zhone Technologies, Inc.

Acculink, ADSL/R, Bitstorm, Comsphere, DSL the Easy Way, Etherloop, FrameSaver, GigMux, GrandSLAM, GrandVIEW, Hotwire, the Hotwire logo, iMarc, JetFusion, Jetstream, JetVision, MALC, MVL, NextEDGE, Net to Net Technologies, Paradyne, the Paradyne logo, Quick Channel, Raptor, ReachDSL, SLMS, StormPort, TruePut, Z-Edge, Zhone, ZMS, and the Zhone logo are trademarks owned by Zhone Technologies, Inc., which may be registered in some jurisdictions.

Zhone Technologies makes no representation or warranties with respect to the contents hereof and specifically disclaims any implied warranties of merchantability, noninfringement, or fitness for a particular purpose. Further, Zhone Technologies reserves the right to revise this publication and to make changes from time to time in the contents hereof without obligation of Zhone Technologies to notify any person of such revision or changes.

## End User License Agreement (Zhone and Affiliates)

**Do not install this Software unless you agree to these provisions.  
Return the Software promptly for a refund if you do not agree.**

License. Zhone Technologies, Inc. and/or an affiliate ("Zhone") hereby grants you ("User")—either an individual or a single business entity—the non-exclusive right to install, access, run, or interact with ("Use") one copy of the enclosed software (which may have been, or may be, provided on media, as part of a hardware platform, through download, or otherwise) and associated documentation ("Software") on the first computer system on which User installs the Software ("System") solely for internal business purposes (including, without limitation, providing products and services to User's customers) and subject to the restrictions below). Zhone may, in its sole discretion, make available future updates or upgrades to the Software each of which is also Software subject hereto. Title to and all patent rights, copyrights and other intellectual property rights in the Software are retained by Zhone and its direct and indirect suppliers and licensors ("Licensors").

Restrictions. The Software may not be (a) Used on or from any system other than the System; (b) Used with more than any maximum number of subscribers stated in the documentation accompanying the Software; (c) Used so as to circumvent any technological measure included therein or provided by Zhone from time to time to control access to or limit use of the Software; (d) sublicensed, rented, leased or lent to third parties; (e) imported or exported into any jurisdiction except in compliance with all applicable laws of the United States and such jurisdiction; (f) transferred to a third party unless (A) User transfers the original and all surviving copies to a third party who has agreed in writing to be bound hereby and (B) such third party pays to Zhone such reasonable additional fee as Zhone may impose from time to time with respect to such transfer; or (g) made available to third parties as part of any time-sharing or service bureau arrangement. User shall not have the right to use the Software or any portion thereof for a use other than that contemplated by its documentation. User will not copy all or any part of the Software or attempt, or encourage or permit any third party, to modify, adapt, make derivative works from, reverse engineer, reverse compile, disassemble or decompile the Software or any portion thereof except and only to the extent that such activity is expressly permitted by law notwithstanding this limitation. Violation of any of the foregoing shall be deemed a material breach hereof. User may make a reasonable number of copies solely for archival or disaster recovery and subject to the restrictions imposed by copyright law, but may not modify or otherwise copy the Software. User agrees to reproduce product identification, copyright and other proprietary notices of Zhone and Licensors on all copies. User's rights are only as expressly stated herein. Zhone may immediately terminate your rights if you violate the provisions hereof.

Limited Warranty. Zhone warrants that the media containing the Software is free from defects in material and workmanship for ninety (90) days following your purchase of the Software. You may provide written notice of such defect (addressed to Zhone Technologies, Inc., Attention: Customer Service, 7001 Oakport Street @ Zhone Way, Oakland, CA 94621) no later than ten (10) days following expiration of such period and, as your sole and exclusive remedy, Zhone will provide replacement media. **NEITHER ZHONE NOR ITS LICENSORS MAKE ANY OTHER WARRANTY, EXPRESS, IMPLIED OR STATUTORY. ZHONE AND ITS LICENSORS DISCLAIM ALL WARRANTIES OF FITNESS FOR PARTICULAR PURPOSE, MERCHANTABILITY AND NON-INFRINGEMENT.** Some states or other jurisdictions do not allow the exclusion of implied warranties on limitations on how long an implied warranty lasts, so the above limitations may not apply to you. This warranty gives you specific legal rights, and you may also have other rights which vary from one state or jurisdiction to another.

Limit of Liability. In case of any claim hereunder or related to the Software, neither Zhone nor its Licensors shall be liable for direct damages exceeding the price paid by User for the Software or for special, incidental, consequential or indirect damages, even if advised in advance of the potential thereof.

U.S. Government Users. The Software is a "commercial item" as defined at 48 C.F.R. 2.101, consisting of "commercial computer software" and "commercial computer software documentation" as such terms are used in 48 C.F.R. 12.212. Under 48 C.F.R. 12.212 and 48 C.F.R. 227.7202-1 to 227.7202-4, U.S. Government Users acquire the Software only with the rights set forth therein.

Third Party Licensors. This Zhone End User License Agreement may be accompanied by differing or additional provisions applicable to portions of the Software provided by one or more Licensors ("Licensor Provisions"). User acknowledges and agrees that its Use of such portions of the Software is subject to the Licensor Provisions.

### **Important Safety Instructions**

- 1** Read and follow all warning notices and instructions marked on the product or included in the manual.
- 2** This product is intended to be used with a 3-wire grounding type plug — a plug that has a grounding pin. This is a safety feature. Equipment grounding is vital to ensure safe operation. Do not defeat the purpose of the grounding type plug by modifying the plug or using an adapter. Prior to installation, use an outlet tester or a voltmeter to check the AC receptacle for the presence of earth ground. If the receptacle is not properly grounded, the installation must not continue until a qualified electrician has corrected the problem.  
  
If a 3-wire grounding type power source is not available, consult a qualified electrician to determine another method of grounding the equipment.
- 3** Slots and openings in the cabinet are provided for ventilation. To ensure reliable operation of the product and to protect it from overheating, these slots and openings must not be blocked or covered.
- 4** Do not allow anything to rest on the power cord and do not locate the product where persons will walk on the power cord.
- 5** Do not attempt to service this product yourself, as it will void the warranty. Opening or removing covers may expose you to dangerous high voltage points or other risks. Refer all servicing to qualified service personnel.
- 6** General purpose cables are described for use with this product. Special cables, which may be required by the regulatory inspection authority for the installation site, are the responsibility of the customer. To reduce the risk of fire, use a UL Listed or CSA Certified, minimum No. 26 AWG (0.128 mm<sup>2</sup>) telecommunication cable, or comparable cables certified for use in the country of installation.
- 7** When installed in the final configuration, the product must comply with the applicable Safety Standards and regulatory requirements of the country in which it is installed. If necessary, consult with the appropriate regulatory agencies and inspection authorities to ensure compliance.

- 8** A rare phenomenon can create a voltage potential between the earth grounds of two or more buildings. If products installed in separate buildings are interconnected, the voltage potential may cause a hazardous condition. Consult a qualified electrical consultant to determine whether or not this phenomenon exists and, if necessary, implement corrective action prior to interconnecting the products.
- 9** In addition, if the equipment is to be used with telecommunications circuits, take the following precautions:

  - Never install telephone wiring during a lightning storm.
  - Never install telephone jacks in wet locations unless the jack is specifically designed for wet locations.
  - Never touch uninsulated telephone wires or terminals unless the telephone line has been disconnected at the network interface.
  - Use caution when installing or modifying telephone lines.
  - Avoid using a telephone (other than a cordless type) during an electrical storm. There may be a remote risk of electric shock from lightning.
  - Do not use the telephone to report a gas leak in the vicinity of the leak.
- 10 CLASS 1 LASER PRODUCT:** This product has provisions for the customer to install a Class 1 laser transceiver, which provides optical coupling to the telecommunication network. Once a Class 1 laser product is installed, the equipment is to be considered to be a Class 1 Laser Product (Appareil à Laser de Classe 1). The customer is responsible for selecting and installing the laser transceiver and for insuring that the Class 1 AEL (Allowable Emission Limit) per EN/IEC 60825 is not exceeded after the laser transponders have been installed. Do not install laser products whose class rating is greater than 1. Refer to all important safety instructions that accompanied the transceiver prior to installation. Only laser Class 1 devices, certified for use in the country of installation by the cognizant agency are to be utilized in this product.
- 11** The equipment is intended for installation in a max. 50° C ambient temperature, in an environment that is free of dust and dirt.
- 12** The power supply cord for countries other than North America is to be a minimum H05 V V-F type, min. 0.75 mm<sup>2</sup>, 2-conductor and earth ground terminated in an IEC 320 connector on one end, and a plug which is certified for use in the country of installation at the other end.
- 13** Do not physically stack more than eight (8) 26x1 units high. Physical stability has not been evaluated for stacking higher than eight units, and any configuration greater than eight may result in an unstable (tip-over) condition. Ensure that the four (4) rubber feet supplied with the product have been installed on the bottom of each unit prior to stacking any 26x1 units on top of one another.

## EMI Notices

### **⚠ UNITED STATES – EMI NOTICE:**

**This equipment has been tested and found to comply with the limits for a Class A digital device, pursuant to Part 15 of the FCC rules. These limits are designed to provide reasonable protection against harmful interference when the equipment is operated in a commercial environment. This equipment generates, uses, and can radiate radio frequency energy and, if not installed and used in accordance with the instruction manual, may cause harmful interference to radio communications. Operation of this equipment in a residential area is likely to cause harmful interference in which case the user will be required to correct the interference at his own expense.**

**The authority to operate this equipment is conditioned by the requirements that no modifications will be made to the equipment unless the changes or modifications are expressly approved by Paradyne Corporation.**

**If the equipment includes a ferrite choke or chokes, they must be installed per the installation instructions.**

### **⚠ CANADA – EMI NOTICE:**

**This Class A digital apparatus meets all requirements of the Canadian interference-causing equipment regulations.**

**Cet appareil numérique de la classe A respecte toutes les exigences du règlement sur le matériel brouilleur du Canada.**

## Notices to Users of the Canadian Telephone Network

**NOTICE:** This equipment meets the applicable Industry Canada Terminal Equipment Technical Specifications. This is confirmed by the registration number. The abbreviation IC before the registration number signifies that registration was performed based on a Declaration of Conformity indicating that Industry Canada technical specifications were met. It does not imply that Industry Canada approved the equipment.

**NOTICE:** The Ringer Equivalence Number (REN) for this terminal equipment is labeled on the equipment. The REN assigned to each terminal equipment provides an indication of the maximum number of terminals allowed to be connected to a telephone interface. The termination on an interface may consist of any combination of devices subject only to the requirement that the sum of the Ringer Equivalence Numbers of all the devices does not exceed five.

When the equipment is used in a customer premises environment, a Model 6051 POTS Splitter must be used to ensure CS-03 compliance. Refer to the POTS splitter installation instructions for details.

## CE Marking

When the product is marked with the CE mark on the equipment label, a supporting Declaration of Conformity may be downloaded from the Zhone World Wide Web site at [www.zhone.com](http://www.zhone.com).

## Japan

Class A ITE

この装置は、情報処理装置等電波障害自主規制協議会（VCCI）の基準に基づくクラス A 情報技術装置です。この装置を家庭環境で使用すると電波妨害を引き起こすことがあります。この場合には使用者が適切な対策を講ずるよう要求されることがあります。

This is a Class A product based on the standard of the Voluntary Control Council for interference by Information Technology Equipment (VCCI). If this equipment is used in a domestic environment, radio disturbance may arise. When such trouble occurs, the user may be required to take corrective actions.



# CONTENTS

End User License Agreement (Zhone and Affiliates).....	2
Document Purpose and Intended Audience .....	11
Document Summary .....	11
Related Product Documents .....	12
<b>Chapter 1- Installation .....</b>	<b>13</b>
Overview .....	13
Preparation .....	14
Cables Required .....	15
Unpacking the Hardware.....	16
Package Contents .....	16
Mounting Configurations .....	17
Mounting Brackets.....	17
Installing the Brackets for Rack Mounting.....	17
Installing the BitStorm 4800 Express Into a Rack .....	19
Installing the BitStorm 4800 Express on a Wall.....	21
Installing the BitStorm 4800 Express on a Shelf or Desktop .....	23
<b>Chapter 2- Cabling .....</b>	<b>25</b>
Cabling Overview .....	25
DSL Ports .....	26
10/100BaseT Uplink (Port 2) .....	27
Management Port .....	28
Console Port.....	29
Connecting a Terminal or PC to the Console Port .....	29
Connecting a Modem to the Console Port.....	30
Ground .....	31
Connecting to Power.....	32
<b>Chapter 3- LEDs .....</b>	<b>33</b>
LED Locations.....	33
LED Meanings.....	34

<b>Chapter 4- Configuration</b> .....	35
Overview .....	35
Using the CLI .....	36
Configure Management Default Gateway Address .....	37
Configure Management Inband Address .....	37
Configure Management Out-of-Band Address .....	38
BitStorm 4800 Express Startup Procedure .....	39
Login .....	39
Management Modes .....	39
Startup Procedure for Inband Management .....	40
Startup Procedure for Out-of-Band Management .....	40
Using the Web Interface .....	41
System / Users .....	41
Configuration / Management / SNMP .....	42
<b>Chapter A- Connectors and Pin Assignments</b> .....	43
Overview .....	43
DSL Ports Connectors .....	44
Port 1 and Port 2 10/100BaseT Connectors .....	45
Console Port Connector .....	46
<b>Chapter B- Equipment List</b> .....	47
<b>Chapter C- Technical Specifications</b> .....	49
<b>Index</b> .....	51

# ABOUT THIS GUIDE

## Document Purpose and Intended Audience

This document is written for technicians who install the BitStorm<sup>®</sup> 4800 Express Model 4821-A2 IP DSLAM.

## Document Summary

Section	Description
<a href="#">Chapter 1-, <i>Installation</i></a>	Describes the physical installation of the BitStorm 4800 Express into a rack.
<a href="#">Chapter 2-, <i>Cabling</i></a>	Describes how to install all cables for the BitStorm 4800 Express.
<a href="#">Chapter 3-, <i>LEDs</i></a>	Explains the meaning and usage of the front panel LEDs.
<a href="#">Chapter 4-, <i>Configuration</i></a>	Describes the minimal configuration steps required to prepare the BitStorm 4800 Express for remote access, using the command line interface and web interface.
<a href="#">Appendix A-, <i>Connectors and Pin Assignments</i></a>	Provides pinouts for connectors on the BitStorm 4800 Express.
<a href="#">Appendix B-, <i>Equipment List</i></a>	Provides part numbers for the BitStorm 4800 Express and related products.
<a href="#">Appendix C-, <i>Technical Specifications</i></a>	Lists the technical characteristics of the BitStorm 4800 Express.
<a href="#">Index</a>	Lists key terms, acronyms, concepts, and sections in alphabetical order.

## Related Product Documents

Documentation for the BitStorm 4800 Express IP DSLAM is available on the World Wide Web at [www.zhone.com](http://www.zhone.com).

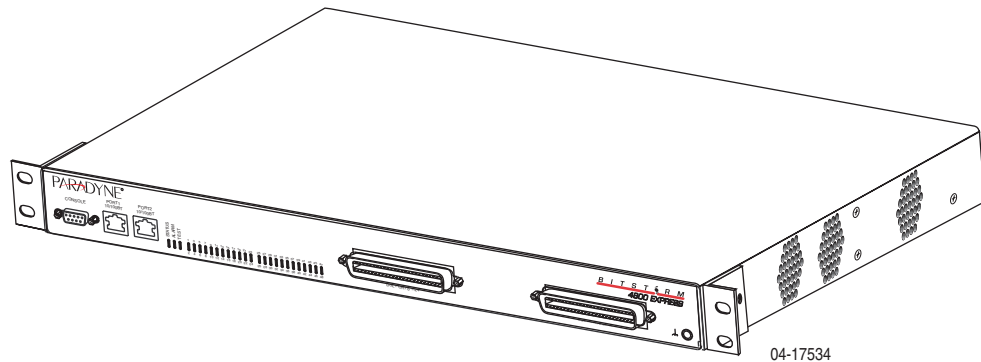
<b>Document Title</b>
<i>BitStorm 4800 Express Model 4821-A2 Command Line Interface Reference</i> Describes the Command Line Interface (CLI) used to configure and monitor the BitStorm 4800 Express.
<i>BitStorm 4800 Express Model 4821-A2 SNMP Reference</i> Contains the information necessary to use Simple Network Management Protocol (SNMP) to configure and monitor the BitStorm 4800 Express.
<i>BitStorm 6051 POTS Splitter Installation Instructions</i> Describes how to install the BitStorm 6051 POTS splitter.
<i>Hotwire 6210-A2, 6211-A2, and 6381-A2 User's Guide</i> Describes the installation and operation of the 6210 ADSL bridge, 6211 ADSL router, and 6381 ADSL/R router.
<i>GrandVIEW EMS User's Guide</i> Contains instructions for maintaining network services and resources using the GrandVIEW Element Management System (EMS).

# 1

## INSTALLATION

### Overview

The BitStorm® 4800 Express is a stackable IP DSLAM designed for installation in a Central Office (CO), multi-tenant unit (MTU), or multi-dwelling unit (MDU) environment.



The BitStorm 4800 Express is interoperable with the Hotwire 6381 ADSL/R modem, as well as any standard ADSL CPE.

A Command Line Interface (CLI) and a web browser interface are provided. The unit also may be managed using a network manager such as the Paradyne GrandVIEW™ Element Management System (EMS).

BitStorm 4800 Express IP DSLAM models and features are listed in [Table 1, BitStorm 4800 Express Models and Features](#).

**Table 1: BitStorm 4800 Express Models and Features**

Model Number	Type	Number of Ports
4821-A2-417	ADSL	12
4821-A2-427	ADSL	24
4821-A2-447	ADSL	48

## Preparation

Consider the following before installing the BitStorm 4800 Express IP DSLAM:

- **Installation Site**

Your installation site should be well ventilated, clean, and free of environmental extremes.

- **Installation Options**

The BitStorm 4800 Express may be:

- Mounted with the included mounting brackets in a standard 19-inch (483 mm) or 23-inch (584 mm) rack (including both Bay Networks and Nortel 23-inch racks), or, with separately purchased mounting brackets, in a 21-inch (535 mm) ETSI rack. ETSI brackets are available from Paradyne. See [Appendix B-, Equipment List](#).

As many BitStorm 4800 Express units may be mounted in a standard rack as there are 1.75-inch (44.45 mm) spaces in the rack, so long as adequate cooling is provided.

- Mounted vertically against a wall.

The standard mounting brackets provided can be fastened to the base of the unit for wall mounting.

- Set on a shelf or desktop.

Up to five BitStorm 4800 Express units may be stacked on a shelf or desktop.

- **Power**

The BitStorm 4800 Express operates from a 90 to 265 VAC, 47 to 63 Hz power source.

- **Cabling**

No cable except the power cable is provided with the BitStorm 4800 Express. See [Table 2, Cable Descriptions](#), to determine what cables you need to procure before installation.

## Cables Required

Table 2 shows all the cables that may be required for your installation.

**Table 2: Cable Descriptions**

Connector Name	Connector and Cable	For Connecting . . .
DSL PORTS 1–24  DSL Ports 25–48 (if installed)	50-pin RJ21X Telco-type straight connector and 50-wire cable. Two cables required for 48-port model.	Up to 24 DSL ports per cable to a POTS splitter.
Port 2 10/100BaseT	8-position modular plug and 8-wire Category 5 or better unshielded twisted pair (UTP) cable.	The BitStorm 4800 Express to a network.
Port 1 10/100BaseT	8-position modular plug and 8-wire Category 5 or better unshielded twisted pair (UTP) cable.	A Network Management System (NMS) over a Local Area Network (LAN) employing 10BaseT or 100BaseT.
CONSOLE	DB9 plug connector and shielded cable. <ul style="list-style-type: none"> <li>The other connector depends on the serial port on your terminal or PC, but normally is a DB9 socket.</li> <li>The other connector depends on the serial port on your modem, but normally is a DB25 plug. A null modem (crossover) cable is required.</li> </ul>	The BitStorm 4800 Express to one of the following: <ul style="list-style-type: none"> <li>A terminal or a PC with a terminal emulation program, or</li> <li>A modem.</li> </ul>

## Unpacking the Hardware

### HANDLING PRECAUTIONS FOR STATIC-SENSITIVE DEVICES



This product is designed to protect sensitive components from damage due to electrostatic discharge (ESD) during normal operation. When performing installation procedures, however, take proper static control precautions to prevent damage to equipment. If you are not sure of the proper static control precautions, contact your nearest sales or service representative.

The BitStorm 4800 Express is shipped in a cardboard shipping container. Carefully remove the unit from its shipping container and check for physical damage. If the unit shows signs of shipping damage, notify your sales representative.

## Package Contents

In addition to this installation guide, the BitStorm 4800 Express shipping carton should contain:

- BitStorm 4800 Express DSLAM
- AC Power Cable
- Two sets of mounting brackets: one set suitable for a 19-inch (483 mm) rack and one set suitable for a 23-inch (584 mm) rack (including Bay Networks and Nortel)
- Hardware kit

If anything is missing, notify your sales representative.

Before installing the BitStorm 4800 Express, read the [Important Safety Instructions](#) in the beginning of this document.

## Mounting Configurations

Three basic installation configurations are available:

- Rack mount – see [Installing the Brackets for Rack Mounting on page 17](#) and [Installing the BitStorm 4800 Express Into a Rack on page 19](#).
- Wall mount – see [Installing the BitStorm 4800 Express on a Wall on page 21](#).
- Shelf or desktop – see [Installing the BitStorm 4800 Express on a Shelf or Desktop on page 23](#).

## Mounting Brackets

Your BitStorm 4800 Express can be installed in a rack or on the wall using mounting brackets. Two brackets suitable for a 19-inch (483 mm) rack (marked EIA-19) and two brackets suitable for a 23-inch (584 mm) Bay Networks or Nortel rack (marked with Paradyne Part Number 868-6282-0020) are shipped with the unit. Two brackets suitable for a 21-inch (535 mm) rack (marked ETSI) are available from Paradyne as a separate feature (see [Appendix B-, Equipment List](#)).

Rack-mounting brackets may also be used to attach the unit to a wall.

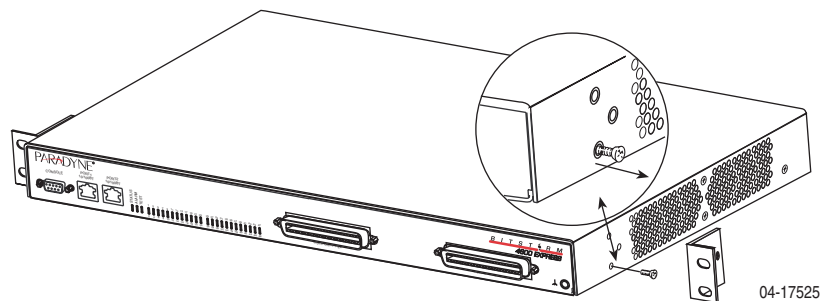
### NOTE:

In this guide, the term *rack* refers to any rack, cabinet, frame, or bay suitable for mounting telecommunications equipment.

## Installing the Brackets for Rack Mounting

To install the mounting brackets for rack mounting:

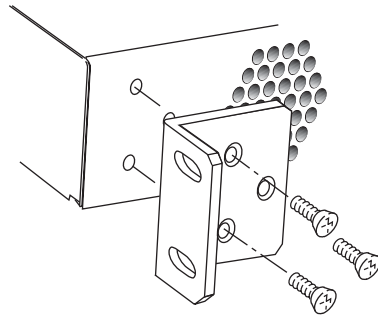
- 1 Locate the black screw nearest the front panel on each side of the unit, as shown.



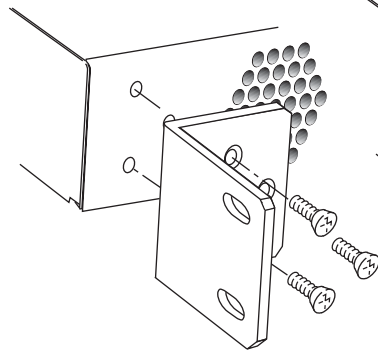
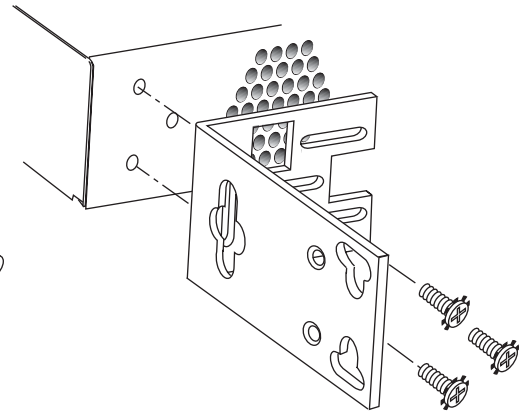
- 2 Remove these two black screws (one from each side) before attempting to install the mounting brackets.

- 3** Identify six flat-head screws (for 19-inch racks) or six machine screws (for 23-inch racks) provided with the mounting brackets in the hardware kit.
- 4** Attach the brackets appropriate to your rack size. Tighten all screws firmly.

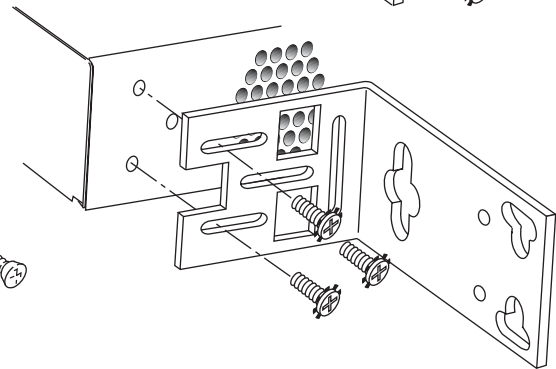
19-inch (483 mm) Rack Mount



23-inch (584 mm) EIA and Bay Networks Rack Mount



21.1-inch (535 mm) Rack Mount

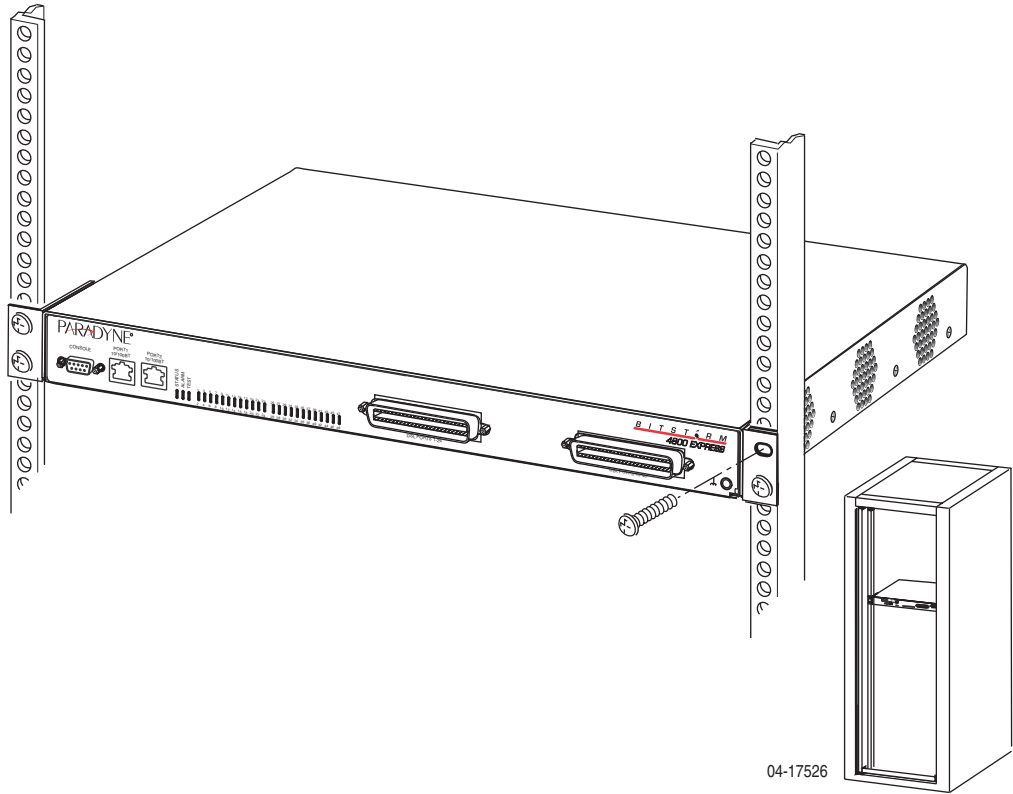


23-inch (584 mm) Nortel Rack Mount

02-17324



- 3 Insert and tighten the screws in the top screw positions, then tighten the bottom screws.

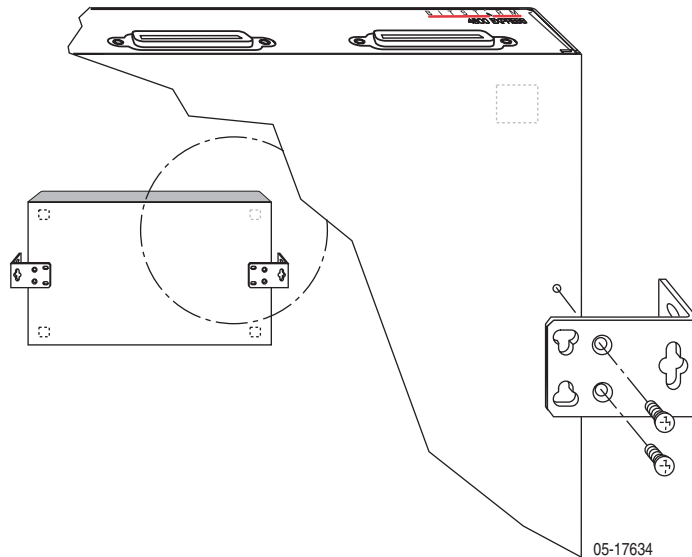


## Installing the BitStorm 4800 Express on a Wall

Wall mounting requires two wood screws suitable for the weight of the fully cabled unit. These are not included. Use at a minimum 1/4-inch (6 mm) diameter screws in 3/4-inch (19 mm) plywood (not drywall).

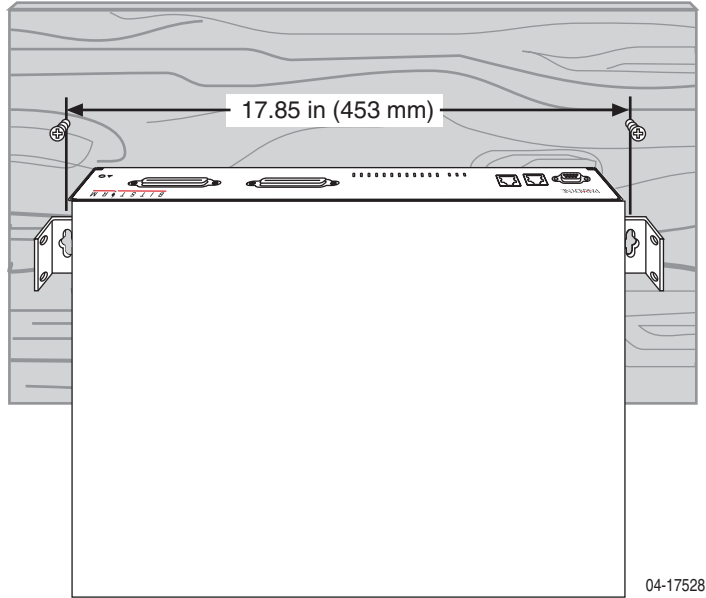
To install the BitStorm 4800 Express on a wall:

- 1 Identify the 6-32 x 3/16-inch flat-head screws provided in the hardware kit and the brackets suitable for a 23-inch rack. Two screws are required for each bracket.
- 2 Orient the unit so that the bottom is facing you and the faceplate is at the top.
- 3 Locate the supplied Right Side mounting bracket and fasten it to the right side of the unit.



- 4 Locate the supplied Left Side mounting bracket and fasten it to the left side of the unit.
- 5 Tighten all screws firmly.

- 6 Install two wood screws (not provided) at the same height above the floor and 18.75 inches (476.25 mm) apart. Do not completely tighten the screws. Leave them so their heads are about 1/4 inch (6 mm) from the wall.



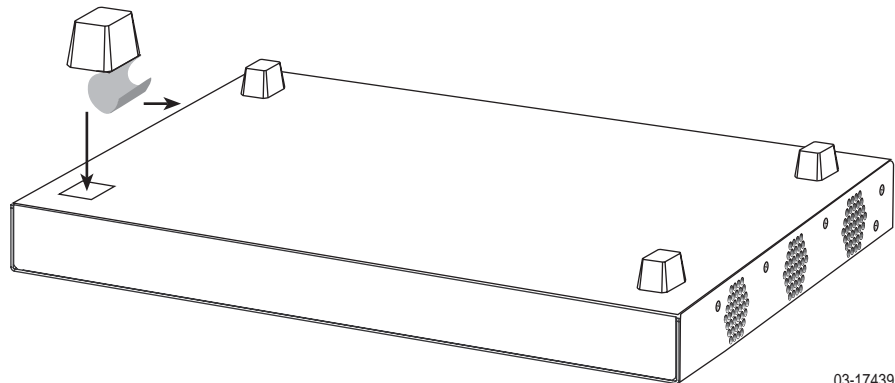
- 7 Hang the unit from the wood screws to verify that the screws are properly placed. The screws should freely slide into the top of the key slots in the brackets.  
Do not fasten the unit to the wall until after it is completely cabled and tested.

## Installing the BitStorm 4800 Express on a Shelf or Desktop

If the BitStorm 4800 Express will be placed on a shelf or desktop, install the provided rubber feet before putting the unit in position.

To install the BitStorm 4800 Express on a shelf or desktop, as a standalone unit or in a stack:

- 1 Locate the rubber feet in the hardware kit provided with the unit.
- 2 Turn the unit upside down on a work surface. Squares stamped into the bottom of the unit show the proper positions for the feet.
- 3 Remove the protective sheet from the bottom of each foot, then press the foot onto a corner of the bottom of the unit.



- 4 Turn the unit right side up and place it in position on a shelf or desktop. If the installation includes more than one unit, one can be stacked atop another. Up to five units can be stacked together.



# 2 CABLING

## Cabling Overview

The BitStorm 4800 Express has a large variety of possible cabling configurations. This chapter describes all possible connections, not all of which are required:

- *DSL Ports on page 26*
- *10/100BaseT Uplink (Port 2) on page 27*
- *Management Port on page 28*
- *Console Port on page 29*
- *Ground on page 31*
- *Connecting to Power on page 32*

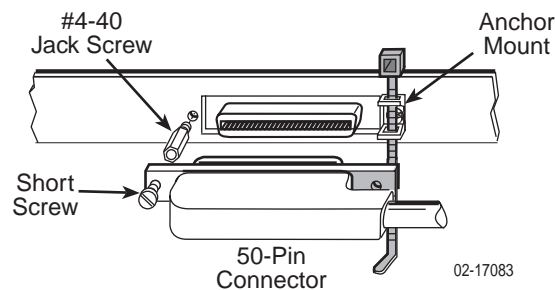
## DSL Ports

The BitStorm 4800 Express DSL connector supports the tip and ring connections of up to 24 DSL ports over a 50-position cable. There are two DSL connectors on the 48-port model.

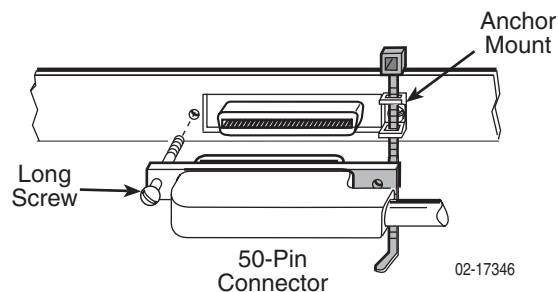
You must connect the unit to a separate POTS splitter. The Model 6051 POTS Splitter must be used for customer premises applications in Canada.

To cable the DSL Ports:

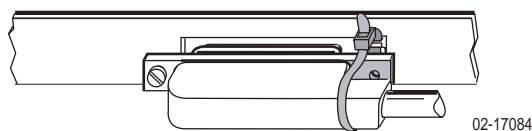
- 1 Insert a cable tie (provided) through the top of the anchor mount next to the DSL PORTS 1–24 connector.
- 2 If the connector for your cable has a short captive screw, attach the cable to the DSL PORTS 1–24 connector and fasten it to the jack screw with its short captive screw.



- 3 If the connector for your cable has a long captive screw, remove the provided jack screw from the threaded hole next to the DSL PORTS 1–24 connector. Attach the DSL PORTS 1–24 connector to the unit using the long, captive pan-head screw (provided).



- 4 Tighten the cable tie around the connector and trim the excess.



- 5 For a 48-port model, repeat [Step 1](#) through [Step 4](#), substituting DSL Ports 25–48 for DSL PORTS 1–24.

- 6 Secure the cables as required for strain relief.

## 10/100BaseT Uplink (Port 2)

Port 2 is the uplink for the DSLAM. A straight-through cable can be used regardless of the destination interface, since the port automatically distinguishes between an MDI and an MDIX.

To use Port 2 as the uplink:

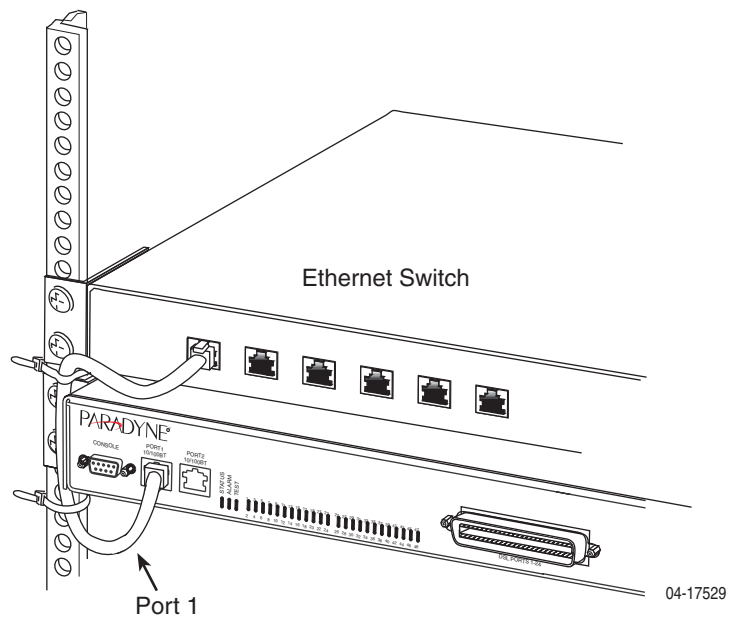
- 1 Connect an 8-position modular cable to Port 2.
- 2 Connect the other end of the cable to the uplink interface, such as an Ethernet switch.

## Management Port

Port 1 can be used to connect the BitStorm 4800 Express to a network management system using a 10BaseT or 100BaseT LAN. A straight-through cable can be used regardless of the destination interface, since the port automatically distinguishes between an MDI and an MDIX.

To use Port 1 as the out-of-band management port:

- 1 Connect an 8-position modular cable to Port 1.
- 2 If the BitStorm 4800 Express is in a rack, fasten the cable to a rail with a cable tie.
- 3 Connect the other end of the cable to your Ethernet switch or a network interface card in a PC.



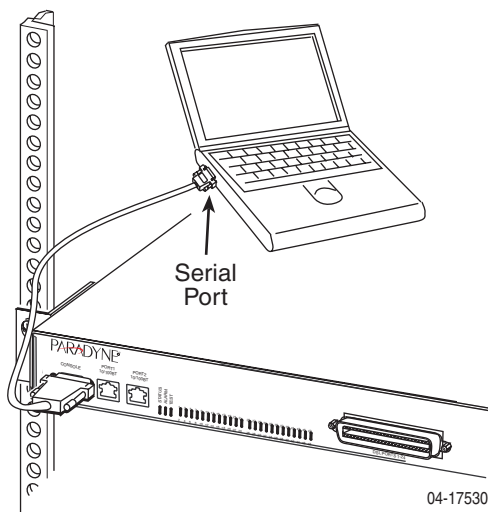
# Console Port

The CONSOLE port normally serves as the primary user interface with the BitStorm 4800 Express during installation. You can connect a terminal or PC directly to the CONSOLE port using a DTE cable (see procedure below). You can also use the CONSOLE port to attach a modem to the BitStorm 4800 Express for remote dial-in management of the unit using a DCE cable (see [Connecting a Modem to the Console Port on page 30](#)).

## Connecting a Terminal or PC to the Console Port

To connect a terminal or PC to the CONSOLE port:

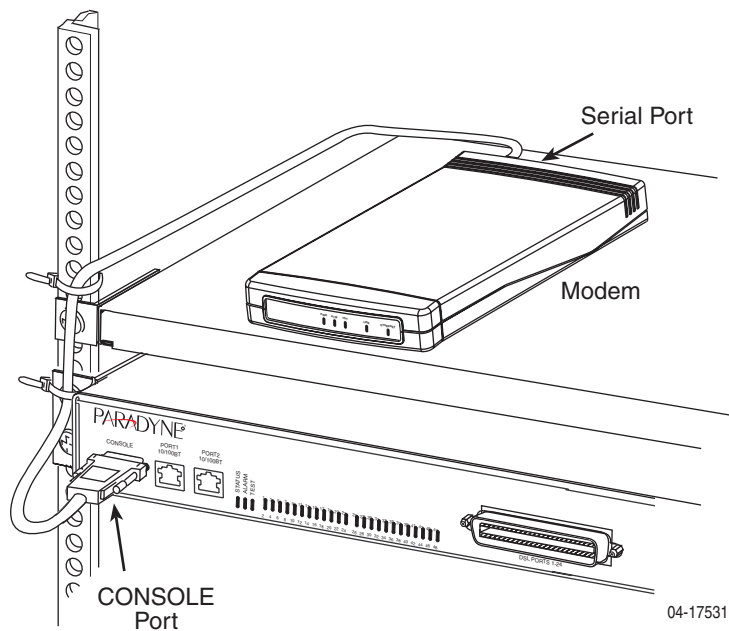
- 1 Configure the terminal or terminal emulation program to use the following parameters:
  - Speed: 9600 bps
  - Data bits: 8
  - Parity: None
  - Flow Control: None
  - Stop bits: 1
- 2 Determine and procure the proper Data Terminal Equipment (DTE) cable type. The CONSOLE port requires a DB9 plug connector. The other connector depends on the serial port on your terminal or PC.
- 3 Connect the DB9 plug connector to the CONSOLE port socket. The CONSOLE port is ordinarily used only during installation, so do not fasten the connector.
- 4 Connect the other end of the cable to the serial port of your terminal or PC.



## Connecting a Modem to the Console Port

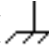
To connect a modem to the CONSOLE port:

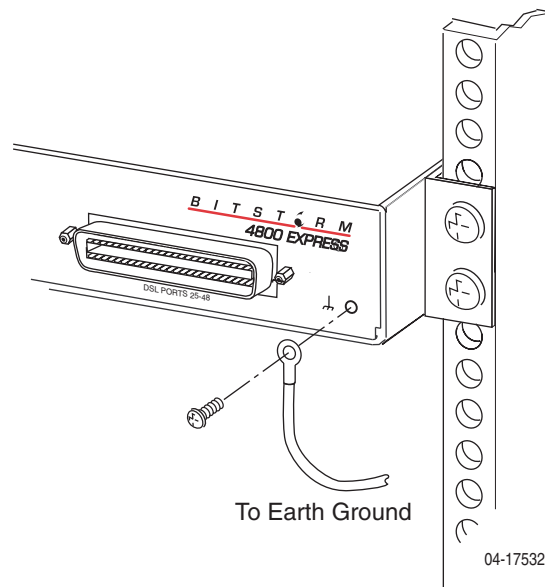
- 1 Determine and procure the proper DCE cable type for your modem. The CONSOLE port requires a DB9 plug connector. The other connector depends on the serial port on your modem, but normally a DB25 plug is required. The cable must be an EIA-232-E crossover (null modem) cable.
- 2 Connect the DB9 plug connector to the CONSOLE port socket.
- 3 If the modem will be permanently connected, fasten the connector to the Management Module with its captive screws. If the BitStorm 4800 Express is in a rack, dress the cable to the left and attach it to the rail with a cable tie.
- 4 Connect the other end of the cable to the serial port of your modem.



# Ground

To connect the unit to a ground:

- 1 Crimp a ring terminal onto the stripped end of 14 AWG or heavier copper ground wire.
- 2 Remove the screw marked by the ground symbol (  ) at the right side of the front panel.
- 3 Fasten the ring terminal to the front panel using the same screw.
- 4 Attach the ground wire to an earth ground.

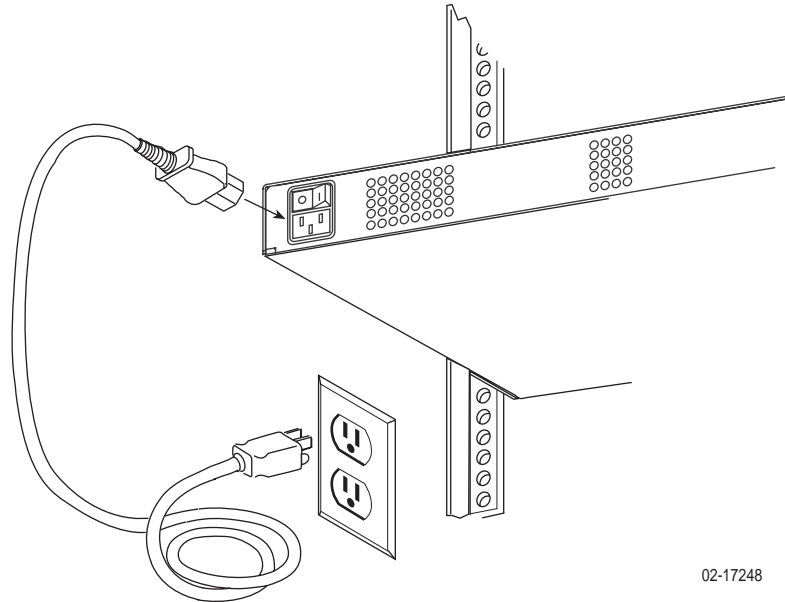


## Connecting to Power

The BitStorm 4800 Express can be powered by any AC power source supplying 90–265 VAC at 47–63 Hz.

To connect the BitStorm 4800 Express to a power source:

- 1 Insert the supplied power cord into the power socket on the back of the unit.



02-17248

- 2 If the BitStorm 4800 Express is in a rack, dress the power cord to the left and fasten it to the rail with a cable tie.
- 3 Connect the other end of the power cord to a grounded AC power source.
- 4 Make sure the STATUS LED on the front panel is ON (green). See [Chapter 3-](#), *LEDs*.

# 3 LEDs

## LED Locations

The locations of the System and DSL Port LEDs on the front panel of the BitStorm 4800 Express are shown in [Figure 1, Front Panel LEDs](#).

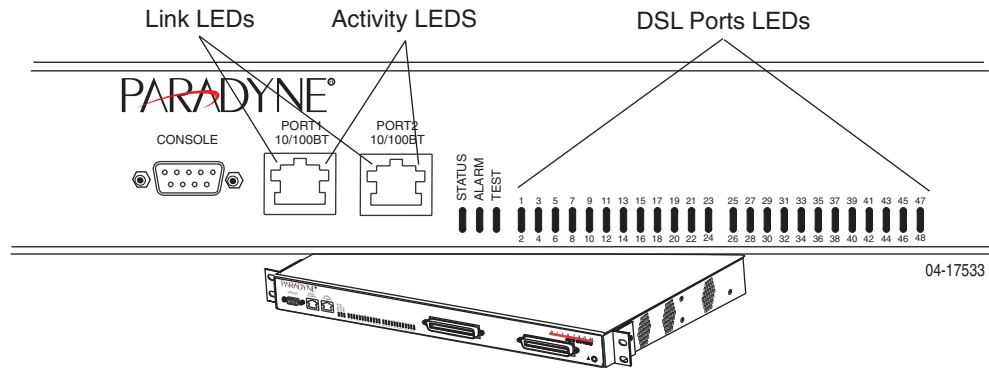


Figure 1: Front Panel LEDs

## LED Meanings

When power is first applied to the unit, it performs a power-on self-test. When this test is successfully completed, the Status LED blinks. The meaning of all the LEDs is shown in [Table 3, Front Panel LEDs](#).

**Table 3: Front Panel LEDs**

LED	Color	State	Meaning
Link*	Green	Off	No Ethernet link present.
		On	Ethernet Link present.
		Flashing	Ethernet link is present, but port is administratively disabled.
Activity*	Green	Off	No data is being transferred.
		On	Data is being transferred.
STATUS	Green	Off	No power, or the unit has not completed initialization.
		On	Unit has power and has completed initialization.
ALARM	Amber	Off	No Alarms.
		On	Unit failed self-test, or the unit has exceeded a safe temperature, or a fan has failed.
TEST	Amber	Off	Normal operating mode.
		On	At least one port is in test mode.
DSL Ports (LEDs numbered 1–24 or 1–48 correspond to DSL ports 1–24 or 1–48)	Green	Off	The port is disabled or no signal is detected on the line.
		On	Port has successfully trained with the remote and is active.

\* The RJ45-type connectors for Port 1 and Port 2 bear two LEDs: the left one is the Link LED and the right one is the Activity LED.

# 4 CONFIGURATION

## Overview

The BitStorm 4800 Express is designed to require minimal configuration before it can be accessed by a Network Operations Center (NOC). When the BitStorm 4800 Express is first powered up it is a fully functional bridge, and all DSL ports are set to their maximum speed.

Initial configuration is performed using the Command Line Interface (CLI). The CLI is available from a terminal or PC connected to the CONSOLE port, or through the management port (Port 1).

Additional configuration may be necessary, depending on the mode used to manage the BitStorm 4800 Express:

- Inband
- Out of band through Port 1

This can be performed using the CLI, SNMP, or the web interface.

For more configuration information, see the [BitStorm 4800 Express Model 4821-A2 Command Line Interface Reference](#) (for the CLI) and the online Help (for the web interface).

## Using the CLI

A command line interface (CLI) can be used to configure and monitor the unit. The CLI is available from a PC or terminal connected to the Console port, or from a Telnet session with the device.

The following commands are available:

**Table 4: CLI Commands**

Command	Function
clear	Clear the system log.
configure	Enter Configuration mode.
copy	Copy from one file to another.
date	Set the time zone and date format.
end	If user is in Administrator mode, shifts to User mode; if user is in User mode, positions interface at top of menu tree.
exit	Terminate current session.
firmware	Download or apply new firmware.
paging	Enable or disable paging ( <i>more</i> prompt) for this session.
privilege	Enable administrator mode.
restart	Restart a unit.
show	Display configuration, statistics, and status.
technical-support	Display information for contacting technical support.
test	Test the system.

Descriptions of some essential configuration commands follow.

## Configure Management Default Gateway Address

The **configure management default gateway** command specifies the IP address of the next hop router for the management traffic.

<b>configure management default-gateway {ip_address}</b>
--

Minimum Access Level: <b>Administrator</b>
--

<b>ip_address</b> – Specifies the IP address of the default gateway for the management ports.
---

**Example:**

PDYN# <b>configure management default-gateway 137.90.127.1</b>
--

## Configure Management Inband Address

The **configure management inband address** command specifies the IP address of the unit.

<b>configure management inband address {ip_address} {subnet_mask}</b>
---

Minimum Access Level: <b>Administrator</b>
--

<b>ip_address</b> – Specifies the management IP address. Default is 0.0.0.0 (disabled). Do not configure inband and out-of-band management on the same subnet.
--

<b>subnet_mask</b> – Specifies the subnet mask to be applied to the IP address. The default mask is 255.255.255.0.
--

Example:

PDYN# <b>configure management inband address 137.90.127.3 255.255.255.0</b>
---

## Configure Management Out-of-Band Address

The **configure management out-of-band address** command specifies the IP address of the unit that will accept management traffic on the out-of-band management port.

<b>configure management out-of-band address {bootp   {{ip_address} {subnet_mask} }</b>
--

Minimum Access Level: <b>Administrator</b>
--

<b>bootp</b> – Specifies that a BOOTP server will determine the management IP address.
--

<b>ip_address</b> – Specifies the management IP address. The default address is 10.10.10.10. Do not configure inband and out-of-band management on the same subnet.
---

<b>subnet_mask</b> – Specifies the subnet mask to be applied to the IP address. The default mask is 255.255.255.0.
--

Example:

```
PDYN# configure management out-of-band address bootp
```

```
PDYN# configure management out-of-band address 137.90.127.3  
255.255.255.0
```

# BitStorm 4800 Express Startup Procedure

You can initialize your BitStorm 4800 Express via a PC or terminal connected to the unit's CONSOLE port. Then, using a series of CLI commands, GrandVIEW EMS or another Element Management System, or the web interface, you can configure the unit according to your requirements.

## Login

To log in to the BitStorm 4800 Express:

- 1 Connect a PC or terminal to the CONSOLE port. (See [Console Port](#) in [Chapter 2-, Cabling.](#))
- 2 At the *login*> prompt, type **admin** and press Enter.
- 3 At the *password*> prompt, press Enter. The default login password is blank.
- 4 At the *PDYN*> prompt, type **privilege** and press Enter.
- 5 At the *password*# prompt, press Enter. The default privileged password is blank.

You are now logged on and in privileged mode, which allows you to configure the unit.

## Management Modes

The startup procedure for the BitStorm 4800 Express system differs depending on the type of management used:

- Inband Management – Operates over the uplink.
- Out-of-Band Management – Operates over Port 1.

## Startup Procedure for Inband Management

With inband management, the BitStorm 4800 Express is managed using the uplink port.

To start up the BitStorm 4800 Express using inband management:

- 1 To avoid losing your connection when the IP address is changed, access the CLI using the CONSOLE port.
- 2 Assign an IP address, netmask, and next-hop router using the **configure management** command. For example:

```
PDYN# configure management inband address 137.90.127.3  
255.255.255.0
```

```
PDYN# configure management default-gateway 137.90.127.1
```

Do not configure inband and out-of-band management on the same subnet.

## Startup Procedure for Out-of-Band Management

In out-of-band management, you manage the unit through Port 1.

To start up the BitStorm 4800 Express using out-of-band management:

- 1 To avoid losing your connection when the IP address is changed, access the CLI using the CONSOLE port.
- 2 Assign an IP address, netmask, and next-hop router using the **configure management** command. For example:

```
PDYN# configure management out-of-band address 137.90.80.3  
255.255.255.0
```

```
PDYN# configure management default-gateway 137.90.80.1
```

You can now access the web interface by typing into the Location field of your web browser the IP address assigned to the Port 1. See [Using the Web Interface on page 41](#).

Do not configure inband and out-of-band management on the same subnet.

- 3 Configure routers as necessary to route data from the NOC to the BitStorm 4800 Express.

## Using the Web Interface

To access the web interface:

- 1 Open your web browser. (Internet Explorer Version 6 or above is recommended.)
- 2 Type `http://` and the IP address of the BitStorm 4800 Express into the Address field of your browser window. For example:



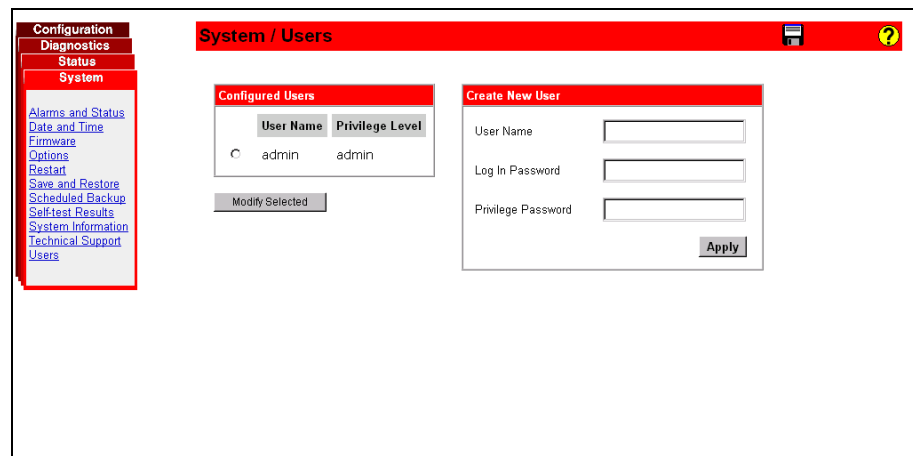
- 3 A login window appears. Enter the default User ID (**admin**) and leave Password blank. Click on OK. The web interface screen appears.
- 4 Click on the menu tab appropriate to what you would like to do:
  - Configuration – To configure the system and interfaces
  - Status – To display statistics, status, and contents of memory
  - System – To display system information, download firmware, back up configurations, and modify users
  - Diagnostics – To start and stop tests

## System / Users

For security reasons, it is a good idea to change the default password the first time you use the system.

To change the default password for user **admin**:

- 1 Click on the System menu tab, then click on Users. The following screen appears.



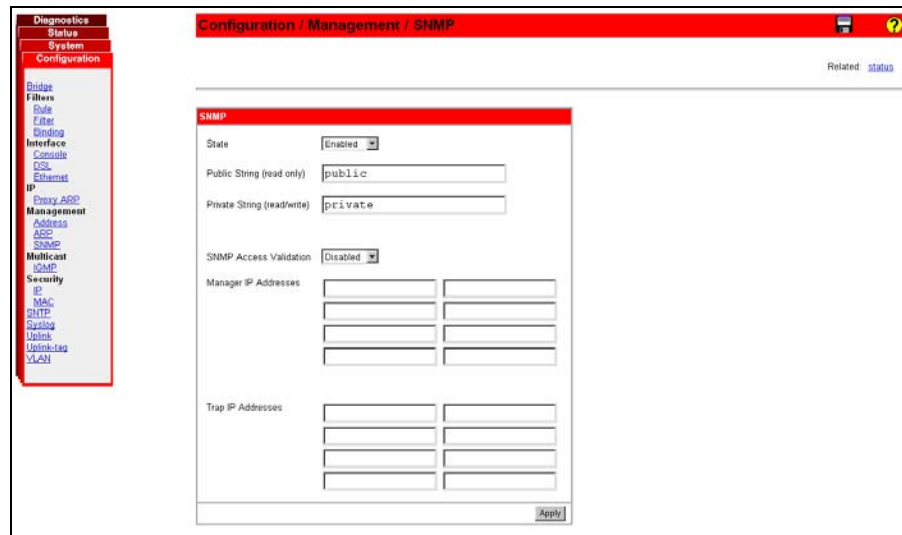
- 2 In the Configured Users box, select **admin** by clicking in the circle next to it.
- 3 Click on Modify Selected. The System / Users / admin screen appears.
- 4 Type in a new Login Password and a new Privilege Password, then click on Apply. Keep a record of the new password.

## Configuration / Management / SNMP

SNMP access to the unit is disabled by default. The read-only community string is **public**, and the read-write string is **private**. Community strings, network management system addresses, and trap manager addresses can be set using the System/Management/SNMP screen.

To set SNMP parameters:

- 1 Click on the Configuration menu tab, then click on SNMP. The System/Management/SNMP screen appears.



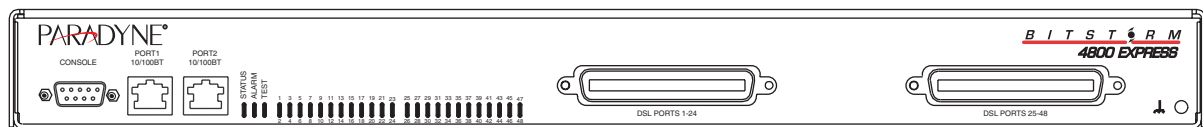
- 2 Enter new SNMP parameters as desired. Click on Apply.

# CONNECTORS AND PIN ASSIGNMENTS

## Overview

The following sections provide pin assignments for:

- [DSL Ports Connectors on page 44](#)
- [Port 1 and Port 2 10/100BaseT Connectors on page 45](#)
- [Console Port Connector on page 46](#)



04-17535

Figure 2: BitStorm 4800 Express IP Front Panel

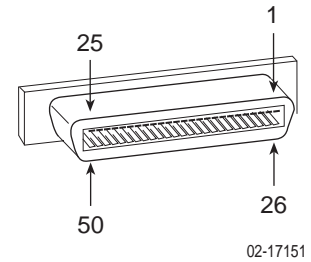
## DSL Ports Connectors

The 50-pin RJ21X Telco connectors labeled DSL Ports 1–24 and (on the 48-port model) DSL Ports 25–48 provide the 2-wire loop interface from each DSL port to the POTS splitter. The Canadian designation for this connector is CA21A.

Table 5 lists the pin assignments for these interfaces. Note that Pins 25 and 50 are not used.

**Table 5: DSL Connector Pinouts**

DSL Port	Connector Pins (Ring, Tip)
1 or 25	1, 26
2 or 26	2, 27
3 or 27	3, 28
4 or 28	4, 29
5 or 29	5, 30
6 or 30	6, 31
7 or 31	7, 32
8 or 32	8, 33
9 or 33	9, 34
10 or 34	10, 35
11 or 35	11, 36
12 or 36	12, 37
13 or 37	13, 38
14 or 38	14, 39
15 or 39	15, 40
16 or 40	16, 41
17 or 41	17, 42
18 or 42	18, 43
19 or 43	19, 44
20 or 44	20, 45
21 or 45	21, 46
22 or 46	22, 47
23 or 47	23, 48
24 or 48	24, 49

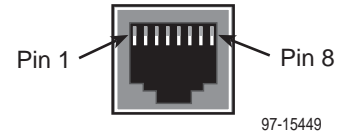


## Port 1 and Port 2 10/100BaseT Connectors

Port 1 and Port 2 are 8-pin unkeyed modular jacks for a 10/100BaseT interface.

**Table 6: Port 1 and Port 2 Pinouts**

Signal	Pin
Transmitted Data +	1
Transmitted Data –	2
Received Data +	3
Unused	4
Unused	5
Received Data –	6
Unused	7
Unused	8



## Console Port Connector

The CONSOLE port connector is a DB9 socket connector that supports an EIA-232-E circuit as shown in [Table 7](#).

**Table 7: Console Port Connector**

<b>RS-232 Signal</b>	<b>Direction</b>	<b>Pin</b>
Ground	Out	1
Receive Data	Out	2
Send Data	In	3
Data Terminal Ready	In	4
Ground	—	5
Ground	Out	6
NC	—	7
Ground	Out	8
NC	—	9

# B EQUIPMENT LIST

**Table 8: BitStorm 4800 Express Equipment List**

<b>Description</b>	<b>Model Number</b>
<i>BitStorm 4800 Express Model 4821-A2 Command Line Interface Reference (paper copy)</i>	4821-A2-GB21
<i>BitStorm 4800 Express Model 4821-A2 SNMP Reference (paper copy)</i>	4821-A2-GB22
BitStorm 4800 Express 24-Port IP DSLAM, with North America power cord  <i>Includes BitStorm 4800 Express, 19- and 23-inch mounting brackets and hardware, and Installation Guide.</i>	4821-A2-427
BitStorm 4800 Express 48-Port IP DSLAM, with North America power cord  <i>Includes BitStorm 4800 Express, 19- and 23-inch mounting brackets and hardware, and Installation Guide.</i>	4821-A2-447
Mounting Brackets for ETSI 21-inch (535 mm) Rack	4200-F1-001
1-Slot POTS Splitter Chassis	5011-A1-000
6-Slot POTS Splitter Chassis	5016-A1-000
BitStorm 6051 Universal Line Sharing POTS Splitter	6051-B1-001



# C TECHNICAL SPECIFICATIONS

Technical specifications are subject to change without notice.

**Table 9: BitStorm 4800 Express Technical Specifications (Sheet 1 of 2)**

Specifications	Criteria
Cooling and Air Handling	Each BitStorm 4800 Express is independently cooled with integral fans and does not rely on vertical air flow.
DSL Compatibility	<ul style="list-style-type: none"> <li>• G.dmt (G.992.1)</li> <li>• G.lite (G.992.2)</li> <li>• ANSI T1.413-1998</li> </ul>
Electromagnetic Compatibility (EMC)	Meets the following standards: <ul style="list-style-type: none"> <li>• EN 300 386-2</li> <li>• EN 55024</li> <li>• EN 55022, Class A</li> <li>• FCC Part 15, Class A</li> <li>• VCCI, Class A</li> </ul>
Interfaces	<ul style="list-style-type: none"> <li>• <b>DSL PORTS:</b> 50-pin RJ21X Telco-type connector</li> <li>• <b>CONSOLE:</b> DB9 (EIA-232-E)</li> <li>• <b>Port 1 and Port 2:</b> 8-pin modular jack (10/100BaseT)</li> </ul>
Operating Environment	Ambient Temperature: 0° to 50° C (32° to 122° F) Relative Humidity: 5% to 95% noncondensing Storage Temperature: -40° to 85° C (-40° to 185° F) Shock and vibration tolerance sufficient to withstand normal shipping
Physical Dimensions	Height: 1.75" (44.5 mm, or 1U as defined in EIA-310-C) without feet Width: 17.2" (437 mm) without mounting brackets Depth: 16.0" (406 mm) with cables
Power	90–265 VAC, 47–63 Hz

**Table 9: BitStorm 4800 Express Technical Specifications (Sheet 2 of 2)**

<b>Specifications</b>	<b>Criteria</b>
Power Consumption	Model 4821-A2-417: 12 Watts Maximum
	Model 4821-A2-427: 26 Watts Maximum
	Model 4821-A2-447: 40 Watts Maximum
Weight	Model 4821-A2-417: 11.2 lbs (5.1 kg)
	Model 4821-A2-427: 11.2 lbs (5.1 kg)
	Model 4821-A2-447: 10.7 lbs (4.8 kg)

# INDEX

## Numerics

10/100BaseT pinouts 45

## A

AC power 32  
Activity LEDs 34  
administrator, login 39  
Alarm LED 34  
audience for this document 11  
autosensing 27, 28

## B

BitStorm 4800 Express  
    description 13  
    features 13  
    models 13  
brackets  
    installation for rack mount 17

## C

cables 43  
    DSL ports 44  
    MGMT port 45  
    required 15  
cabling 25  
    console port 29  
    DSL ports 26  
    ground 31  
    management port 28  
    Port 1 28  
    Port 2 27  
    POTS ports 26  
    power 32  
    uplink 27  
CO grounding screw 31  
Command Line Interface (CLI) 36  
commands 36  
community strings 42  
configuration 35  
    CLI commands 37

    mounting brackets 17  
configuring  
    inband management 40  
    out-of-band management 40  
    SNMP parameters 42  
connectors 43  
    DSL ports 44  
    front panel 43  
    Management port 45, 46  
    POTS splitter 44  
CONSOLE port 29  
    cabling and settings 29  
    connecting modem 30  
    description 15  
    pinouts 46  
contents of shipping carton 16  
cooling and air handling 49

## D

DB9  
    cabling 29  
    pinouts 46  
default gateway 37  
default password 39  
    changing 41  
desktop installation 23  
dimensions 49  
document purpose 11  
documents  
    ordering 12  
    related 12  
DSL ports  
    cabling 26  
    description 15  
    LEDs 34  
    pin assignments 44

## E

earth ground 31  
EIA-232-E 46  
Electromagnetic Compatibility (EMC) 49  
EMS 39

- Enter key 36
- environment 49
- equipment list
  - package contents 16
  - part numbers 47
- ESD precautions 16
- Ethernet
  - LEDs 34

## F

- feature numbers 47
- features 13
- feet 23
- front panel 33, 43
  - illustration 43
  - LEDs 33

## G

- grounding screw 31

## I

- inband management
  - configuring 40
  - described 39
- initialization procedures 39
- installation 13
  - options 14
- installing
  - feet for shelf installation 23
  - in rack 19
  - mounting brackets for rack mount 17
  - mounting brackets for wall mount 21
  - on shelf or desktop 23
  - screws for wall mount 22
  - self-retaining nuts 19
  - unit into rack 19
  - unit on wall 21
- interfaces 49

## J

- jack screw 26

## L

- LEDs 33

- Link LEDs 34
- login 39
- lug for grounding 31

## M

- management modes 39
- Management port
  - cabling 28
  - connector 45, 46
  - description 15
  - pin assignments 45, 46
- management port 28
- menu tabs 41
- models 13
- modem
  - connecting to Console port 30
- mounting brackets, description 17
- mounting configurations 14, 17

## N

- network management systems 42
- NMS 42

## O

- operating environment 49
- optional mounting brackets 17
- order numbers 47
- out-of-band management
  - configuring 40
  - described 39
- overview
  - cabling 25
  - configuration 35
  - management modes 39
  - of BitStorm 4800 Express 13
  - of book 11

## P

- package contents 16
- part numbers 47
- password 39
  - changing 41
  - default 39
- PC cabling and settings 29
- physical dimensions 49

- pin assignments 43
  - Console port 46
  - Management port 45, 46
  - Ports 1 and 2 45
  - RJ21X connectors 44
  - Telco connectors 44
- Port 1
  - cabling 28
  - pinouts 45
- Port 2
  - cabling 27
  - pinouts 45
- POTS splitter
  - cabling 26
  - pin assignments 44
  - port description 15
- power 49
  - connecting to 32
  - consumption 50
  - requirements 32, 49
- preinstallation 14
- product-related documents 12
- purpose of this document 11

## R

- rack installation 19
  - bracket installation 17
  - example 20
  - procedure 19
- related documents 12
- Return key 36
- RJ21X connectors 44
- RJ45 pinouts 46

## S

- shelf installation 23
- shipping carton 16
- site preparation 14
- site requirements 14, 49
- SNMP, configuring parameters 42
- specifications
  - product 49
- stacking 14
- startup procedures 39
- Status LED 34
- synopsis of chapters 11

## T

- technical specifications 49
- Telco connectors
  - fastening 26
  - pinouts 44
- terminal cabling and settings 29
- Test LED 34
- trap managers 42
- troubleshooting, LEDs 33
- turn-up procedures 39
- typographic conventions 36

## U

- unpacking 16
- uplink
  - cabling 27
  - Port 2 27

## V

- VT100 cabling and settings 29

## W

- wall mount
  - bracket installation 21
  - screw positions 22
- web interface
  - password 41
  - starting 41
  - using 41
- weight 49

