

Hotwire® 7034 Customer Premises POTS Splitter Installation Instructions

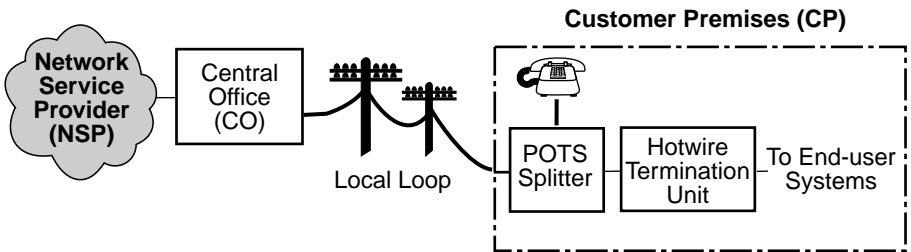
Document Number 7034-A2-GN10-00

April 2000

What the POTS Splitter Does

The POTS (plain old telephone service) splitter separates the DSL (Digital Subscriber Line) and POTS signals. A Hotwire® termination unit and telephone can function simultaneously over the same pair of copper wires at the customer premises when a POTS splitter is used at both ends of the local loop.

Copper pairs are run from the central office to the customer premises to create the local loop. The local loop terminates on the customer premises.



00-16645

Hotwire Documentation

For Hotwire termination unit installation and configuration information, refer to:

Document Number	Document Title
7970-A2-GB20	<i>Hotwire 7974, 7975, 7976, 7984, 7985, and 7986 Standalone Termination Unit User's Guide</i>
7970-A2-GN10	<i>Hotwire 7974, 7975, 7976, 7984, 7985, and 7986 Standalone Termination Unit Installation Instructions</i>

Contact your sales or service representative to order additional product documentation.

Paradyne documents are also available on the World Wide Web at www.paradyne.com. Select *Library* → *Technical Manuals*.

Preparation

Before you install the Hotwire 7034 CP POTS Splitter, verify that:

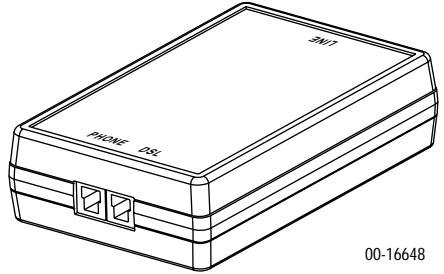
- The local loop POTS service is connected to the POTS/DSL network.
- CAT3 or better unshielded twisted-pair wiring is used from the DSL jack to the POTS splitter and from the POTS splitter to the Hotwire termination unit. The wiring must meet EIA/TIA-568 specifications and be 24 AWG (.5 mm) or 26 AWG (.4 mm). You need:

- Two CAT3 or better cables with 8-pin modular connectors
- One cable with 6-pin modular connectors

See *Installing the 7034 CP POTS Splitter* on page 4.

- Verify that the revision level of the software in your Hotwire termination unit is P6.02.00 or above.

Hotwire 7034 CP POTS Splitter



00-16648

Determining the Software Revision Level

The revision level of the software in the termination unit must be P6.02.00 or above for the unit to work properly with the POTS splitter. (The P in the firmware revision level is a mnemonic for POTS. Firmware releases not beginning with P are not compatible with POTS.) To determine the revision level, follow this menu selection sequence to display the Identity screen:

Main Menu → Status → Identity

```

main/status/identity
Hotwire
Model: 797x

IDENTITY

System Name:      111QJ98-001_____ Clear
System Location:  Bldg. A412, 2nd Floor, Left cabinet_____ Clear
System Contact:  C. Parker 800-727-2396 pager 888-555-1212 Clear

Model Number:    797x-A1-700
Serial Number:   012345678
▶ Software Revision: P6.02.00
Hardware Revision: C002-001
Globespan Software Revision: 2.02
Globespan Hardware Revision: 1.05

-----
Ctrl-a to access these functions, ESC for previous menu      MainMenu Exit
Save

```

Downloading Software

If you determine you require updated software, download software from the Paradyne World Wide Web site, then download it to your termination unit.

► Procedure

To acquire the software:

1. Request access to the Paradyne World Wide Web Subscriber Download Page from your customer support representative.
2. On the Download Page, locate and click on the download file for version P6.02.00 or above.
3. The file is compressed. Save the file on your PC and execute it to expand it, creating a file with the suffix **.ocd**. Move the file, if necessary, to a directory accessible to your TFTP server.

► Procedure

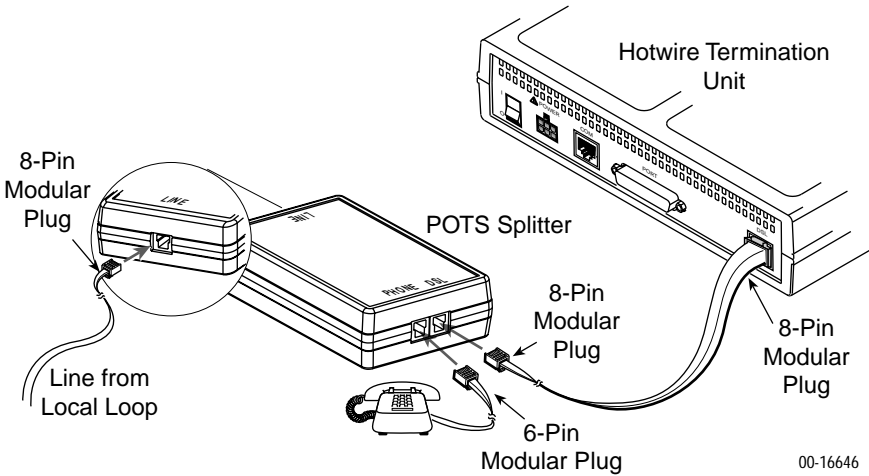
To download software from your TFTP server using the Download Code screen:

1. Follow this menu selection sequence:
Main Menu → Control → Download Code
2. Position the cursor in the Image File Name field. Type the name of the .ocd file to be downloaded.
3. Position the cursor in the TFTP Server IP Address field. Type the IP address of your TFTP server.
4. Position the cursor in the Destination field. Use the spacebar to select a network destination for the TFTP server. Select DSL if the TFTP server destination is the DSL link or COM if the TFTP destination is the COM port.
5. Position the cursor in the Immediately Apply Download field. Select Yes.
6. Position the cursor at the Start Transfer field. Use the spacebar to select Yes. Press Enter.
7. When the data transfer is complete, the Transfer Status field changes to **Completed successfully**.

Installing the Hotwire 7034 CP POTS Splitter

The POTS splitter is made for tabletop placement. Three cables are used:

- From the POTS splitter to the telephone
- From the POTS splitter to the Hotwire termination unit
- From the Local Loop to the POTS splitter



► Procedure

1. Plug the end of a 6-pin modular cable into the POTS splitter jack labeled PHONE. Plug the other end into the jack of the telephone.
2. Plug the end of an 8-pin modular cable into the POTS splitter jack labeled DSL. Plug the other end into the Hotwire termination unit jack labeled DSL.
3. Plug the end of an 8-pin modular cable into the POTS splitter jack labeled LINE. Plug the other end into the line from the local loop.

Hotwire 7034 CP POTS Splitter Technical Specifications

Item	Specification*
Width x Depth x Height	3.63" x 5.78" x 1.52" (9.22 cm x 14.68 cm x 3.86 cm)
Weight	6.7 ounces (190.0 grams)
Safety Certifications	Refer to the equipment's label for approvals on product.
Physical Environment Operating temperature Storage temperature Relative humidity Shock and vibration	32° F to 122° F (0° C to 50° C) -4° F to 158° F (-20° C to 70° C) Up to 95% (noncondensing) Withstands normal shipping and handling
Interface Connectors	LINE – 8-pin modular, non-keyed PHONE – 6-pin modular, non-keyed DSL – 8-pin modular, non-keyed
* Technical Specifications subject to change without notification.	

▲ Important Safety Instructions

1. Read and follow all warning notices and instructions marked on the product or included in the manual.
2. This product is intended to be connected to Listed/Certified telephone wiring with a minimum of 26 AWG (.4 mm) behind a Listed/Certified primary protector.
3. Do not attempt to install or service this product yourself, as opening or removing covers may expose you to dangerous high-voltage points or other risks. Refer all servicing to qualified service personnel.
4. When installed in the final configuration, the product must comply with the applicable Safety Standards and regulatory requirements of the country in which it is installed. If necessary, consult with the appropriate regulatory agencies and inspection authorities to ensure compliance.
5. In addition, since the equipment is to be used with telecommunications circuits, take the following precautions:
 - Never install telephone wiring during a lightning storm.
 - Never install telephone jacks in wet locations unless the jack is specifically designed for wet locations.
 - Never touch uninsulated telephone wires or terminals unless the telephone line has been disconnected at the network interface.
 - Use caution when installing or modifying telephone lines.
 - Avoid using a telephone (other than a cordless type) during an electrical storm. There may be a remote risk of electric shock from lightning.
 - Do not use the telephone to report a gas leak in the vicinity of the leak.

Warranty, Sales, Service, and Training Information

Contact your local sales representative, service representative, or distributor directly for any help needed. For additional information concerning warranty, sales, service, repair, installation, documentation, training, distributor locations, or Paradyne worldwide office locations, use one of the following methods:

- **Internet:** Visit the Paradyne World Wide Web site at www.paradyne.com. (Be sure to register your warranty at www.paradyne.com/warranty.)
- **Telephone:** Call our automated system to receive current information by fax or to speak with a company representative.
 - Within the U.S.A., call 1-800-870-2221
 - Outside the U.S.A., call 1-727-530-2340

Trademarks

Hotwire is a registered trademark of Paradyne Corporation. All other products and services mentioned are the trademarks, service marks, registered trademarks, or registered service marks of their respective owners.

Document Feedback

We welcome your comments and suggestions about this document. Please mail them to Technical Publications, Paradyne Corporation, 8545 126th Ave. N., Largo, FL 33773, or send e-mail to userdoc@paradyne.com. Include the number and title of this document in your correspondence. Please include your name and phone number if you are willing to provide additional clarification.