

HotWire Model 7900 10-Slot Standalone Shelf Installation Instructions

Document Number 7900-A2-GN10-10

August 1997

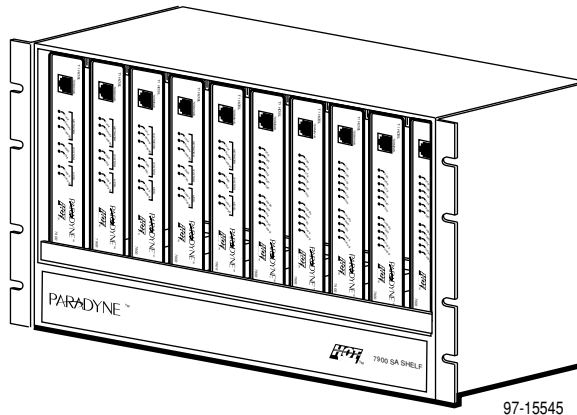
About the HotWire 7900 10-Slot Standalone Shelf

The HotWire 7900 10-Slot Standalone Shelf is designed for use in both commercial and TELCO central-site environments. The standalone shelf:

- Mounts into a standard 19-inch equipment rack
- Houses up to 10 HotWire 7900 Standalone Termination Units
- Provides power to 10 HotWire 7900 Standalone Termination Units with a single power source

There are three versions of the standalone shelf each supporting a different power option (120 Vac, 230 Vac, or -48 Vdc):

Model Number	Features
7900-B1-220	Converts 120 Vac to -48 Vdc for distribution to each standalone unit.
7900-B1-320	Converts 230 Vac to -48 Vdc for distribution to each standalone unit.
7900-B1-520	Distributes your existing -48 Vdc to each standalone unit.



Fully Populated HotWire Model 7900 10-Slot Standalone Shelf

NOTE:

The operating temperature range for a fully populated standalone shelf (10 HotWire Model 7900 standalone units) is 32°F (0°C) to 104°F (40°C).

Warranty, Sales, and Service Information

Contact your sales or service representative directly for any help needed. For additional information concerning warranty, service, repair, installation, documentation, or training, use one of the following methods:

- **Via the Internet:** Visit the Paradyne World Wide Web site at <http://www.paradyne.com>
- **Via Telephone:** Call the automated call system to receive current information via fax or to speak with a company representative:
 - Within the U.S.A., call 1-800-870-2221
 - International, call 727-530-2340

Before Installing

Make sure you have:

- A dedicated, grounded ac outlet that is protected by a circuit breaker within 6 feet of the unit or a dedicated –48 Vdc power source available
- A clean, well-lit, and ventilated site that is free from environmental extremes
- One to two feet of clearance for cable connections
- Operable network connections

Package Checklist

Verify that your package contains:

- A HotWire Model 7900 10-Slot Standalone Shelf
- Ten power patch cords
- Warranty card
- AC power cord (Models 7900-B1-220 and 7900-B1-320 only)

Inspecting the Shipping Container

Inspect the shipping container for signs of damage. Specific signs to check for are:

- Major tears or puncture holes on the sides of the container
- Splits in the seams
- Corner damage or any additional signs of the container having been dropped

If the shipping container shows signs of damage, report this immediately to your shipping or service representative.

Order of Installation

Install the nest and its associated components in the following order:

1. Install the HotWire 7900 10-Slot Standalone Shelf in a standard equipment rack.
2. Connect the standalone shelf to power.
3. Install the standalone termination units.
4. Connect the standalone termination units to -48 Vdc using the power patch cords supplied with the shelf.

Required Tools

Use the following tools to install the standalone shelf and standalone termination units:

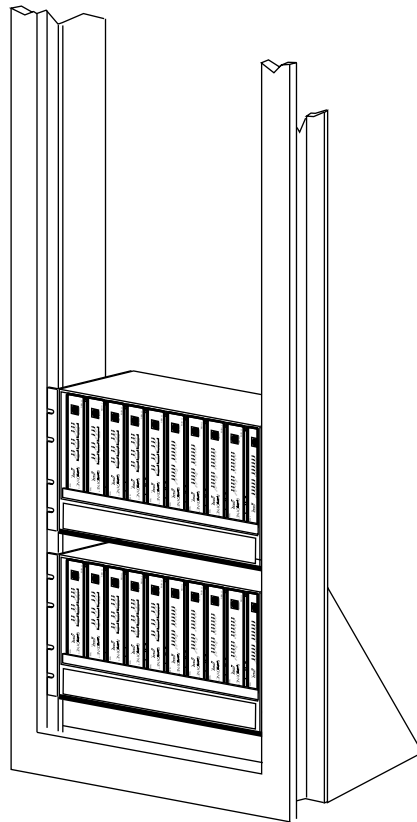
- A large Phillips screwdriver to install the standalone shelf into a standard equipment rack
- A small flat-blade screwdriver to remove and replace the standalone shelf rear retaining bar

Installing the Standalone Shelf

NOTE:

Prior to installing the standalone shelf, read the safety instructions on page 10.

The standalone shelf fits into a standard 19-inch wide equipment rack.



97-15554

NOTE:

When installing more than one shelf in the same equipment rack, start with the lowest desired position in the rack and work upward. Allow 2–3 inches between units for airflow.

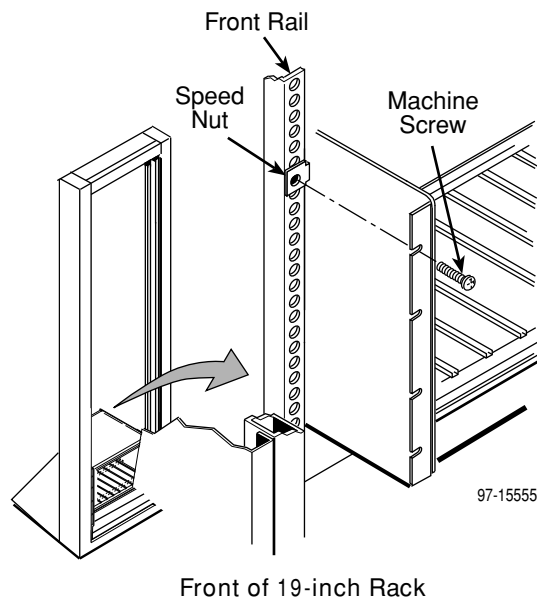
► **Procedure**

To attach the standalone shelf to the front of a standard equipment rack:

NOTE:

Speed nuts have been included to attach the standalone shelf to an equipment rack that does not have threaded screw holes. If your equipment rack does not have threaded screw holes, position the standalone shelf in the cabinet to determine which front rail holes are used and slip a speed nut onto each rail hole.

1. At the desired height, support the standalone shelf against the front rail of the equipment rack.
2. Align the mounting bracket holes with the screw holes in the front rails of the equipment rack.



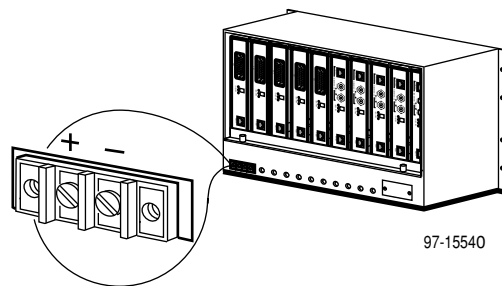
3. Attach the shelf to the front rails of the equipment rack using four machine screws.
4. Tighten all four screws until the shelf is securely mounted in the equipment rack.

Connecting the Standalone Shelf to Existing –48 Vdc Power (Model 7900-B1-520 Only)

► Procedure

To connect the standalone shelf to your existing –48Vdc power:

1. Turn power off at the –48 Vdc circuit breaker or source.
2. Connect the –48 Vdc return line (Gnd) to the positive (+) screw terminal on the back of the standalone shelf.
3. Connect the –48 Vdc line to the negative (–) screw terminal on the back of the standalone shelf.



4. Apply power to the shelf by turning the –48 Vdc circuit breaker or source on.

Connecting the Standalone Shelf to 120 or 230 Vac Power (Models 7900-B1-220 and 7900-B1-320)

CAUTION:

The power supply power cord contains a 3-wire grounding-type plug which has a grounding pin. This is a safety feature. Grounding of the shelf is vital to ensure safe operation. Do not defeat the purpose of the grounding plug by modifying it or by using a plug adapter.

► Procedure

To connect the standalone shelf to 120 or 230 Vac power:

1. Plug the standalone shelf power cord into the back of the standalone shelf.
2. Plug the standalone shelf 3-pronged plug into an AC outlet.

Installing the Standalone Termination Units

You can install up to 10 standalone termination units into one standalone shelf.

NOTE:

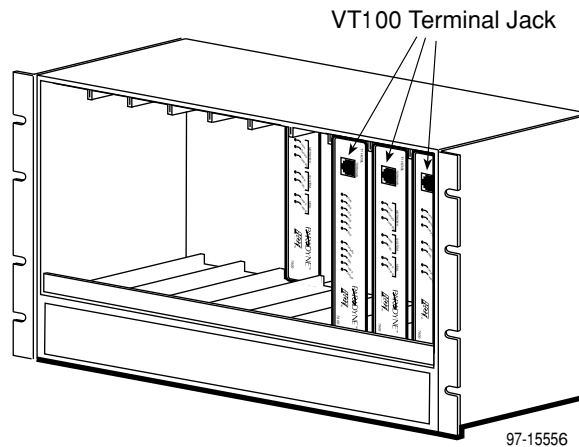
The temperature range for a fully populated standalone shelf is 32°F (0°C) to 104°F (40°C).

► Procedure

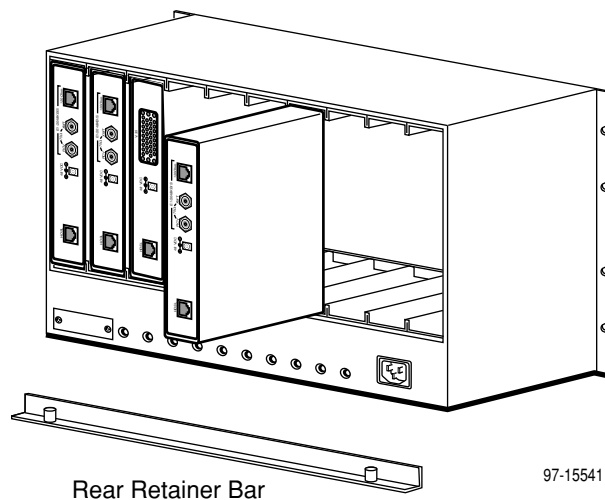
To install the standalone termination units:

1. Remove the standalone shelf rear retaining bar.
2. Position the termination unit so the front panel VT100 terminal jack is located at the top of the shelf.

This allows access to all network and DSL local loop cable jacks at the rear of the unit.



3. Slide the standalone termination unit into the shelf.



4. Replace the rear retainer bar.
5. Connect network (loop) cables and user equipment (V.35, G.703, and DSX-1).

NOTE:

Refer to the appropriate HotWire Model 79xx Standalone Termination Unit User's Guide for more information on HotWire termination units. See *Product-Related Documents* on page 9 for a list of Standalone Termination Unit User's Guides.

Connecting Power to the Standalone Termination Units

Connect each standalone termination unit to -48 Vdc using the power patch cords provided with the standalone shelf.

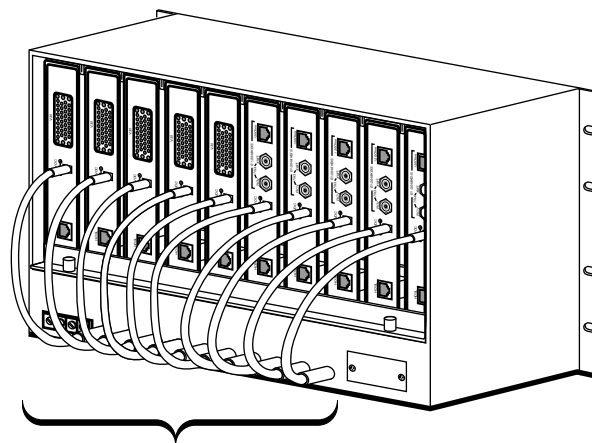
CAUTION:

When removing standalone termination units from the standalone shelf, disconnect the power patch cord from the -48 Vdc source first.

► **Procedure**

To connect power to the standalone units:

1. Connect the power patch cord to the standalone termination unit.
2. Connect the other end of the power patch cord to the -48 Vdc output jack on the back of the standalone shelf.



97-15543

3. Repeat until all standalone termination units are connected to -48 Vdc.

Product-Related Documents

Document Number	Document Title
7914-A2-GB20	<i>HotWire Model 7914 Standalone T1 SDSL Termination Unit User's Guide</i>
7915-A2-GB20	<i>HotWire Model 7915 Standalone E1 SDSL Termination Unit User's Guide</i>
7924-A2-GB20	<i>HotWire Model 7924 Standalone T1 HDSL Termination Unit User's Guide</i>
7925-A2-GB20	<i>HotWire Model 7925 Standalone E1 HDSL Termination Unit User's Guide</i>

To order additional product documentation, refer to *Warranty, Sales, and Service Information* on page 2.

Important Safety Instructions

1. Read and follow all warning notices and instructions marked on the product or included in the manual.
2. This product is intended to be used with a 3-wire grounding type plug – a plug which has a grounding pin. This is a safety feature. Equipment grounding is vital to ensure safe operation. Do not defeat the purpose of the grounding type plug by modifying the plug or using an adapter.
If a 3-wire grounding type power source is not available, consult a qualified electrician to determine another method of grounding the equipment.
The dc configuration of this product is to be grounded by connecting an external wire between the building ground and the equipment ground screw on the rear of the power supply assembly. Consult a qualified electrician to ensure that the ground connections are connected.
3. Slots and openings in the cabinet are provided for ventilation. To ensure reliable operation of the product and to protect it from overheating, these slots and openings must not be blocked or covered.
4. Do not allow anything to rest on the power cord and do not locate the product where persons will walk on the power cord.
5. Do not attempt to service this product yourself, as opening or removing covers may expose you to dangerous high voltage points or other risks. Refer all servicing to qualified service personnel.
6. General purpose cables are provided with this product. Special cables, which may be required by the regulatory inspection authority for the installation site, are the responsibility of the customer.
7. When installed in the final configuration, the product must comply with the applicable Safety Standards and regulatory requirements of the country in which it is installed. If necessary, consult with the appropriate regulatory agencies and inspection authorities to ensure compliance.
8. A rare phenomenon can create a voltage potential between the earth grounds of two or more buildings. If products installed in separate buildings are **interconnected**, the voltage potential may cause a hazardous condition. Consult a qualified electrical consultant to determine whether or not this phenomenon exists and, if necessary, implement corrective action prior to interconnecting the products.
9. In addition, if the equipment is to be used with telecommunications circuits, take the following precautions:
 - Never install telephone wiring during a lightning storm.
 - Never install telephone jacks in wet locations unless the jack is specifically designed for wet locations.
 - Never touch un-insulated telephone wires or terminals unless the telephone line has been disconnected at the network interface.
 - Avoid using a telephone (other than a cordless type) during an electrical storm. There may be a remote risk of electric shock from lightning.
 - Do not use the telephone to report a gas leak in the vicinity of the leak.

EMI Warnings

⚠ WARNING:

This equipment has been tested and found to comply with the limits for a Class A digital device, pursuant to Part 15 of the FCC rules. These limits are designed to provide reasonable protection against harmful interference when the equipment is operated in a commercial environment. This equipment generates, uses, and can radiate radio frequency energy and, if not installed and used in accordance with the instruction manual, may cause harmful interference to radio communications. Operation of this equipment in a residential area is likely to cause harmful interference in which case the user will be required to correct the interference at his own expense.

The authority to operate this equipment is conditioned by the requirements that no modifications will be made to the equipment unless the changes or modifications are expressly approved by Paradyne Corporation.

⚠ WARNING:

To Users of Digital Apparatus in Canada:

This Class A digital apparatus meets all requirements of the Canadian interference-causing equipment regulations.

Cet appareil numérique de la classe A respecte toutes les exigences du règlement sur le matériel brouilleur du Canada.