

## **Hotwire® TDM SDSL Standalone Termination Unit, Model 7974** Wall Mounting Installation Instructions

Document Number 7900-A2-GZ42-00

October 2002

---

Wall mounting the Hotwire 7974 TDM SHDSL Standalone Termination Unit requires two wood screws suitable for the weight of the fully cabled unit into a wood surface. Two sets of 1/2-inch (12.7 millimeters) screws with 0.265-inch (6.73 millimeters) diameter heads are included. However, if you are installing the unit on a surface other than wood (such as drywall), longer screws are required (not provided).

The unit can be mounted as follows:

- Horizontally, with the LEDs facing up
- Vertically, with the LEDs facing toward the left

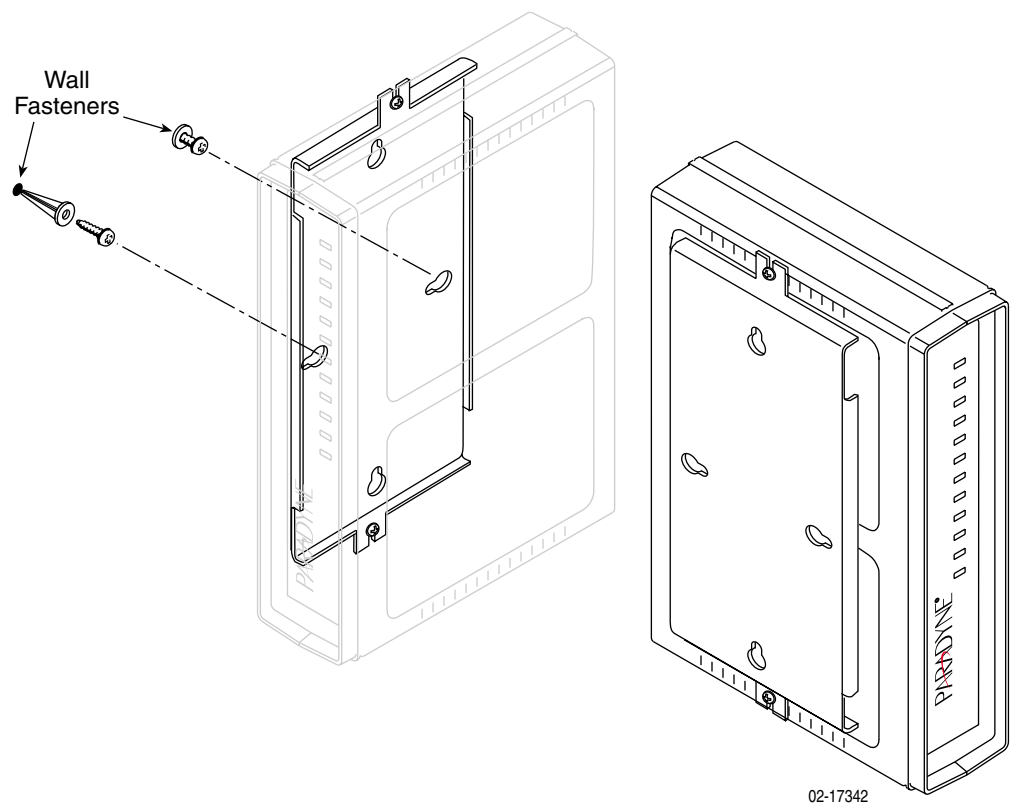
See the procedure on the next page to install the Model 7974 unit on a wall.

---

## ► Procedure

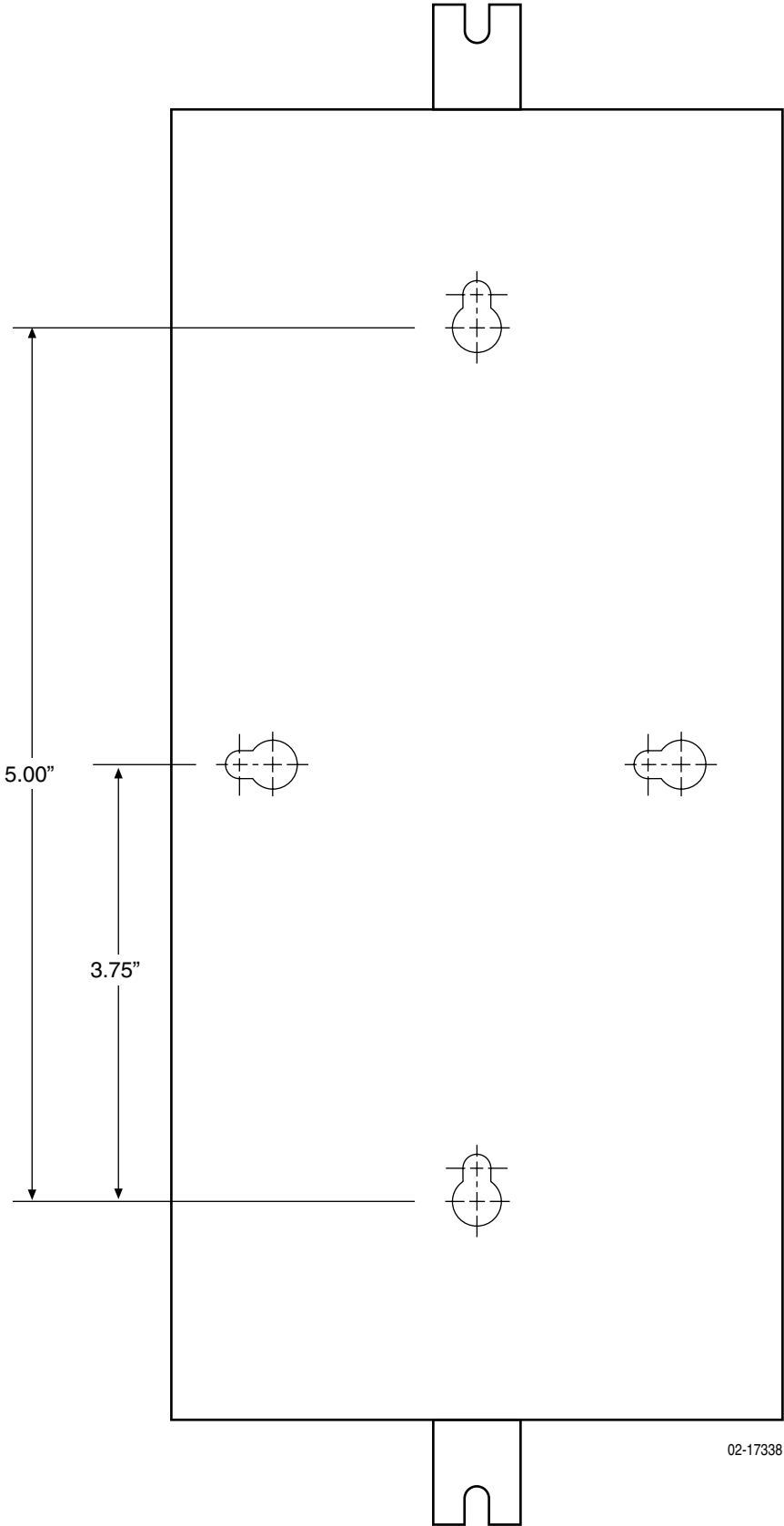
To install the Model 7974 unit on a wall:

1. Identify the screws provided in the hardware kit. Two screws are required for each bracket.
2. Using the template provided, mark the placement of the screw holes on the wall (see [Model 7974 Standalone Termination Unit Hardware Template](#) on page 3). The unit can be mounted either vertically or horizontally.
3. Use a screwdriver to install the screws into the wall. Do not install the screws flush with the wall. Leave enough clearance to hang the unit housing from the screws.



4. Hang the unit from the screws.

**Model 7974 Standalone Termination Unit Hardware Template**



---

## Document Feedback

We welcome your comments and suggestions about this document. Please mail them to Technical Publications, Paradyne Corporation, 8545 126th Ave. N., Largo, FL 33773, or send e-mail to [userdoc@paradyne.com](mailto:userdoc@paradyne.com). Include the number and title of this document in your correspondence. Please include your name and phone number if you are willing to provide additional information.

## Trademarks

Hotwire is a registered trademark of Paradyne Corporation. All other products and services mentioned herein are the trademarks, service marks, registered trademarks, or registered service marks of their respective owners.



\*7900-A2-GZ42-00\*