

HotWire 7925 E1 HDSL Standalone Termination Unit Errata

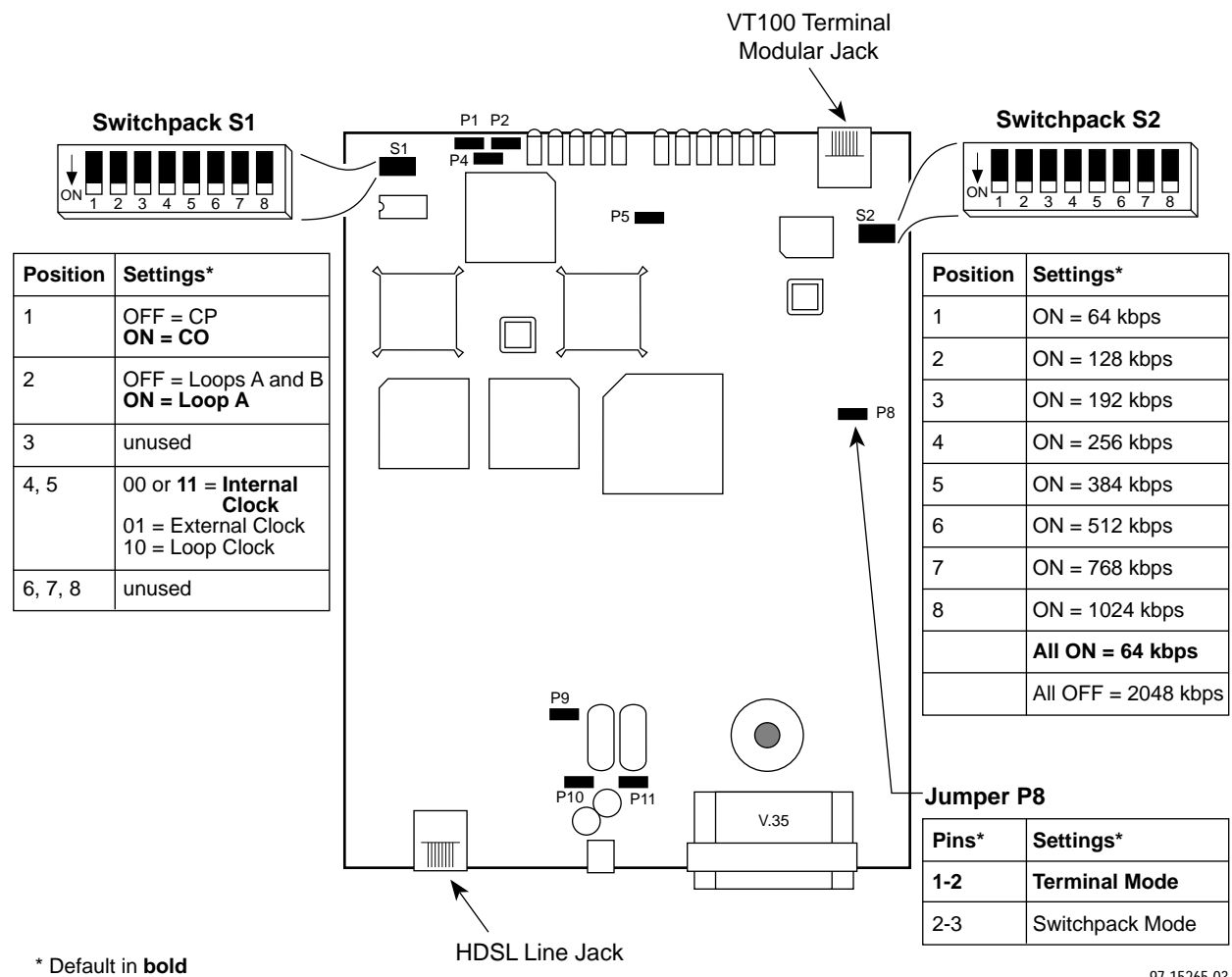
Document Number 7925-A2-GK40-00

August 1997

There is an error in the User's Guide (Document No. 7925-A2-GB20-30) that was detected after printing. Please make note of the following correction.

Page C-4 shows the switchpack definitions for V.35-compatible units. In the table on the left for Switchpack S1, the definition for Switch Position 1 is incorrect. The correct definition is:

Switch Position 1: OFF = CP
 ON = CO (default setting)



97-15265-03

Figure C-2. V.35-Compatible Unit Switchpack and Jumper Locations