

HotWire 7925-A1 E1 HDSL Standalone Termination Unit Errata

Document Number 7925-A2-GK40-10

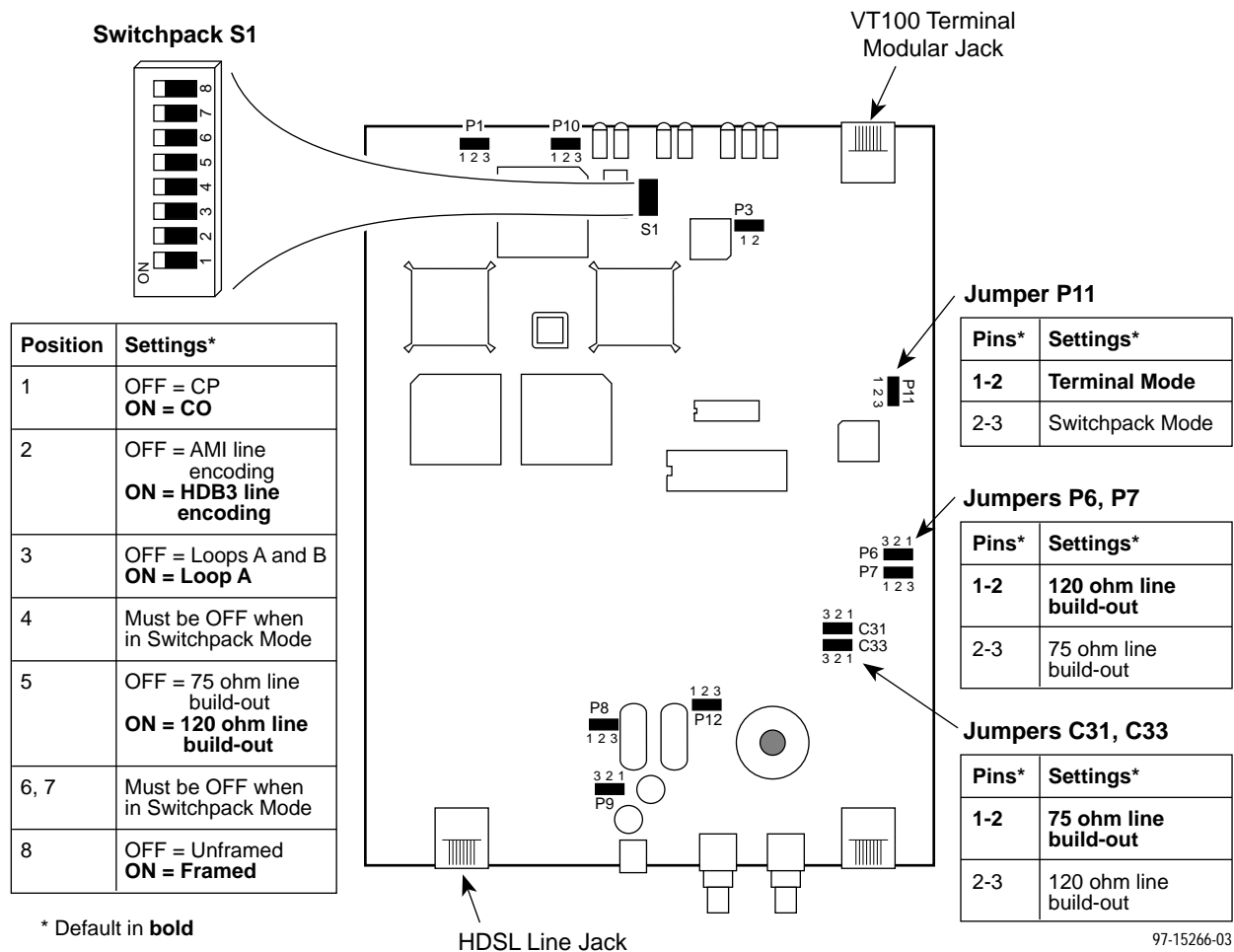
September 1997

Errors and exclusions in the User's Guide (Document No. 7925-A2-GB20-30) were detected after printing. Please make note of the following corrections.

The following information should be included on page 1-1: Up to ten standalone units may be installed in an optional HotWire 7900 10-slot Standalone Shelf, using a single power source. (The Standalone Shelf is required for the -48 Vdc standalone model.)

The defaults shown on page A-2 are Terminal mode factory defaults. Switchpack mode defaults are shown in this document.

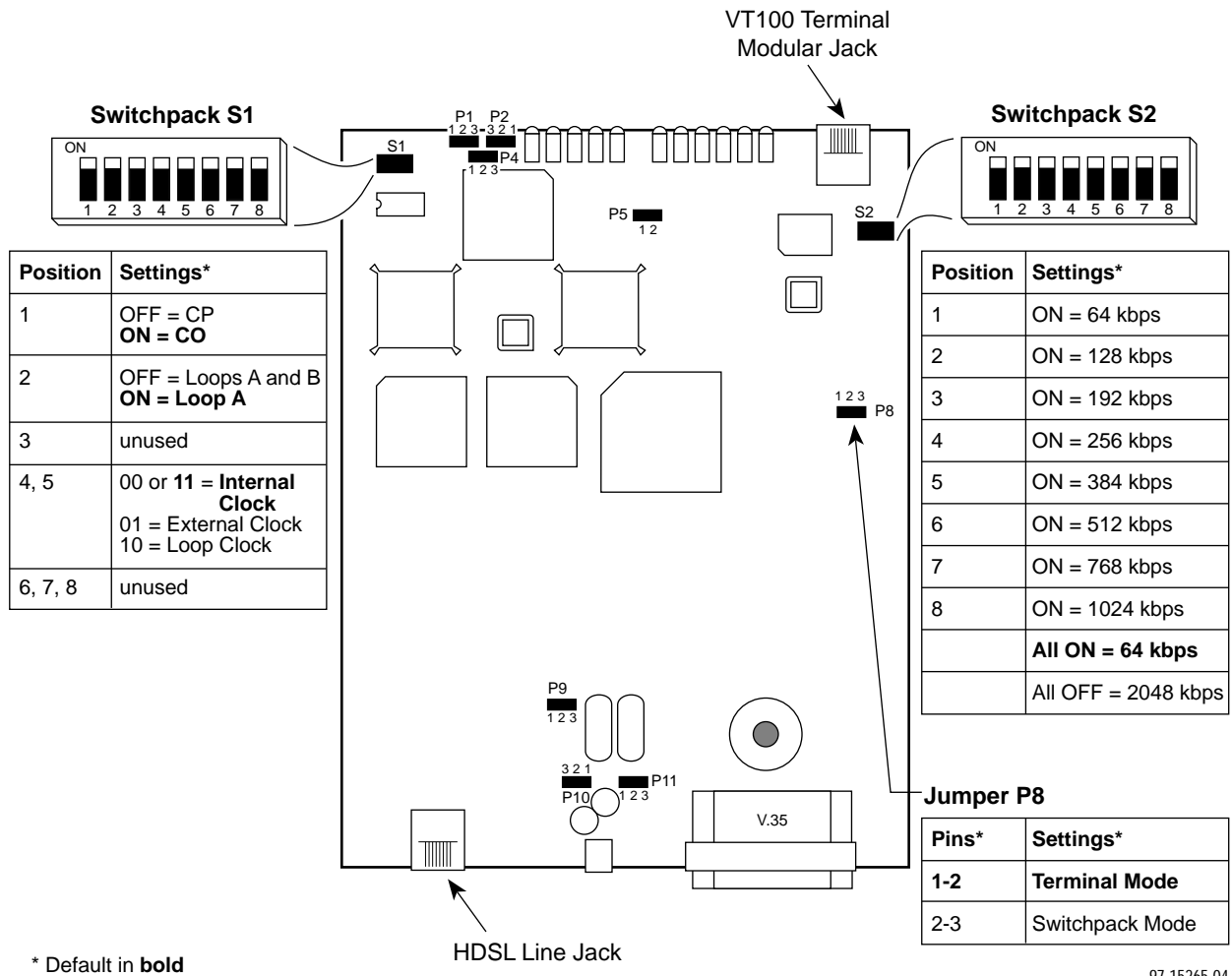
Use the following illustration rather than the one on page C-2:



97-15266-03

Figure C-1. G.703-Compatible Unit Switchpack and Jumper Locations

Use the following illustration rather than the one on page C-4:



97-15265-04

Figure C-2. V.35-Compatible Unit Switchpack and Jumper Locations



7925-A2-GK40-10