

iMarc™ DSL 9788 Router Installation Instructions

Document Number 9788-A2-GN11-20

May 2003

NOTE: The FrameSaver® product line has been renamed to iMarc.

Contents

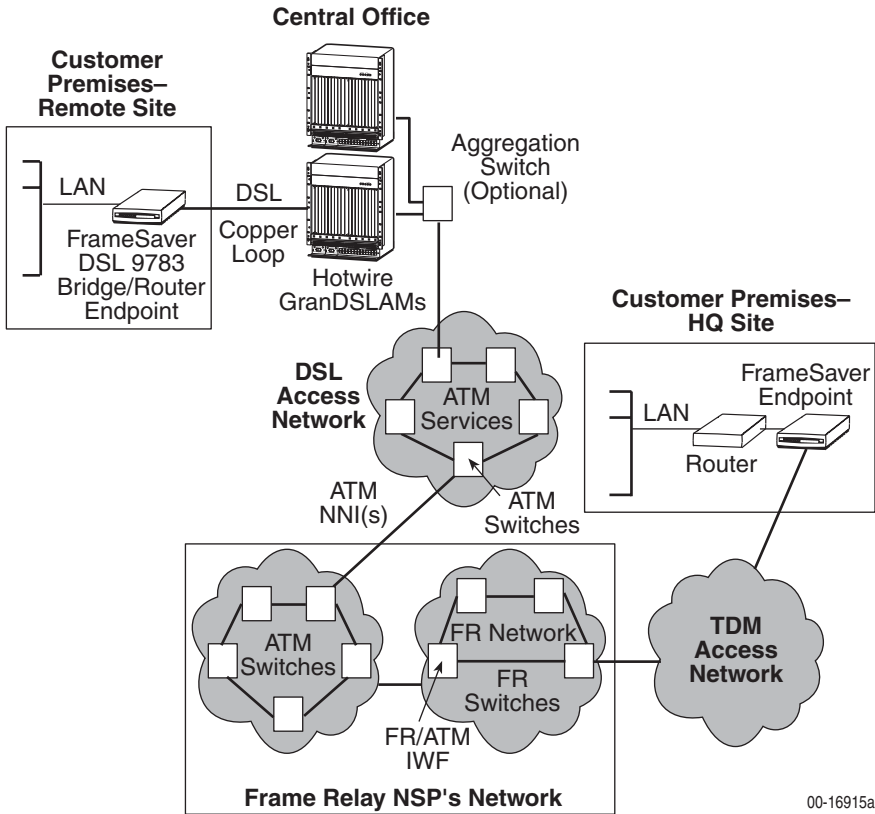
iMarc DSL Router Overview	2
Upgrading a Unit to the SLM Feature Set	3
Product Documentation Online	3
Package Checklist	4
Wiring and Cables You May Need	5
Provisioning Data Circuits Before Installation	6
Installing the Router	7
Power-On	11
Status LEDs	12
Troubleshooting	13
Configuration Setup	14
Verifying that Self-Test Passed	15
Menu Navigation	16
Menu Hierarchy	17
Using the Easy Install Feature	20
Completing Setup From the NOC	21
Configuring SNMP Trap Managers and Traps	21
Setting Up for In-Band Management	22
Verifying the End-to-End Management Path	24
Checking That Data is Being Received	24
Checking PVC Connections	25
Provisioning the Router Interface	25
Important Safety Instructions	26
Government Requirements	27
Warranty, Sales, Service, and Training Information	28

iMarc DSL Router Overview

The iMarc™ DSL (Digital Subscriber Line) Router is a component in the iMarc system. This system allows you to perform end-to-end service level management (SLM) across a hybrid DSL/ATM/Frame Relay network. Service providers can isolate and correct problems remotely from their NOC (Network Operations Center).

The router has a DSL interface and is a manageable frame relay-aware endpoint. It operates as a bridge or an IP router that connects a DSL link to an Ethernet network.

The iMarc DSL Router is used for data only and provides corporate LAN access over traditional twisted-pair copper telephone wiring. Copper pairs run from the central office (CO) to the customer premises (CP) to create the local loop. The local loop terminates on the customer premises at the demarcation point in a punchdown block or network interface device (NID). The following diagram shows a typical use of the iMarc DSL Router in a network.



00-16915a

ATM – Asynchronous Transfer Mode
 DSL – Digital Subscriber Line
 FR – Frame Relay
 HQ – Headquarters

IWF – Interworking Function
 LAN – Local Area Network
 NSP – Network Service Provider
 TDM – Time Division Multiplexer

The iMarc DSL 9783 CSU/DSU is available in two feature sets:

- Basic diagnostic feature set provides basic frame relay and diagnostic capability.
- Service Level Management (SLM) provides basic features, plus reporting and monitoring.

Refer to the *iMarc SLV Technical Description* for a list of iMarc DSL features, and the capabilities provided by each feature set.

Upgrading a Unit to the SLM Feature Set

Full Service Level Management (SLM) capability can be activated in units that have the basic diagnostic feature set at any time. This is an optional feature that adds real-time and historical network performance monitoring and SLA (Service Level Agreement) reporting capabilities to your iMarc unit and network. To activate SLM, order a Feature Activation Certificate. You can order the certificate for a single unit or for many units.

OpenLane SLM Release 5.3 or above is required to schedule activation of SLM features in units, and to manage the number of activations remaining on the certificate. OpenLane also provides a Certificate Summary Report to assist you in the management of the certificate.

When the Feature Activation Certificate arrives, add the Activation Certificate Number to your OpenLane SLM application's database. Activations can occur at any time, for as many units as desired, until no activations remain for the certificate.

Contact your sales representative for additional information.

Product Documentation Online

Complete documentation for this product is available at www.paradyne.com.
Select *Support* → *Technical Manuals* → *iMarc IP/Frame Relay Devices*.

Select the following documents:

- iMarc SLV Technical Description* (9000-A2-GB30)
- iMarc SLV Configuration Reference* (9000-A2-GB31)
- iMarc SLV SNMP Reference* (9000-A2-GB32)
- iMarc SLV Operations Guide* (9000-A2-GB33)
- iMarc SLV Router Command Line Interface* (9000-A2-GB34)

To order a paper copy of a Paradyne document, or to speak with a sales representative, please call 1-727-530-2000.

Package Checklist

In addition to these instructions, verify that your package contains the following:

- iMarc DSL Router
- Power cord with power transformer
- Tie wrap for power cord strain relief
- DSL network access cable (with U.S. models only)

Be sure to register your warranty at www.paradyne.com/warranty.

Wiring and Cables You May Need

The following wiring and cables are used with this product, which uses standard interface connectors:

- Standard connectors: An 8-pin modular (similar to RJ45) wall jack for the DSL network connection.
- DSL wiring: Unshielded twisted-pair wiring (CAT3, or better). The CAT3 wiring must meet EIA/TIA-568 specifications with 24 AWG (0.5 mm) or 26 AWG (0.4 mm).
- Ethernet wiring: Shielded twisted-pair wiring (CAT5, or better). The CAT5 wiring must meet EIA/TIA-568 specifications with 24 AWG (0.5 mm) or 26 AWG (0.4 mm).

Contact your sales representative to order Paradyne cables..

Interface Connection	Cables	Feature Number
COM Communication port to a PC or asynchronous terminal	DB9-to-DB9, standard EIA-232 straight-through cable	—
ETHERNET Ethernet port to a NIC on a PC or an Ethernet hub	For connection to a PC NIC: Standard Ethernet crossover cable	9008-F1-550
	For connection to an Ethernet Hub: Standard Ethernet straight-through cable	—
NET Network port to the DSL wall jack	Standard straight-through DSL network cable with 8-pin modular connectors, similar to an RJ45-to-RJ45 cable. Supplied with U.S. models.	3100-F1-500

Provisioning Data Circuits Before Installation

Before installing the router, use the OpenLane SLM system's Provision Circuit screen to add:

- New circuits that start at the iMarc DSL endpoint and traverse the SCM and ATM line card in the Hotwire[®] GrandSLAM[™]
- The default VC sets (from 1 to 4)

A group of 250 VCs can be allocated to each line card, which can be assigned to any port on the card. These custom connections carry the frame relay traffic.

Note that before the custom cross-connections are configured, the Maximum VCI number for the uplink VP to be used by these custom connections must be specified on the Max VCI per VPI screen, and the **apply changes** executed.

For ATM line cards, custom connections can be used to expand the number of VCs connected to the card. Each of the 250 VCs can be cross-connected from any VC on the uplink to any port on the line card.

The following information is collected by the Provision Circuit process:

- Uplink VPI/VCI
- Slot number and Port number of the DSL connection
- Traffic Profile
- DSL link VPI/VCI
- Frame relay DLCI (provided by NSP)
- Frame relay CIR, B_e, B_c (provided by NSP)

A Circuit ID is then applied to the newly defined circuit, and stored in both the router and the OpenLane SLM system.

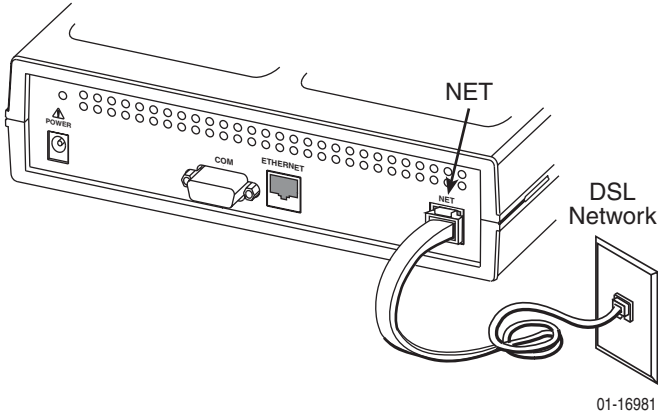
Installing the Router

Place the iMarc DSL Router on a flat surface, with clearance for the rear connectors.

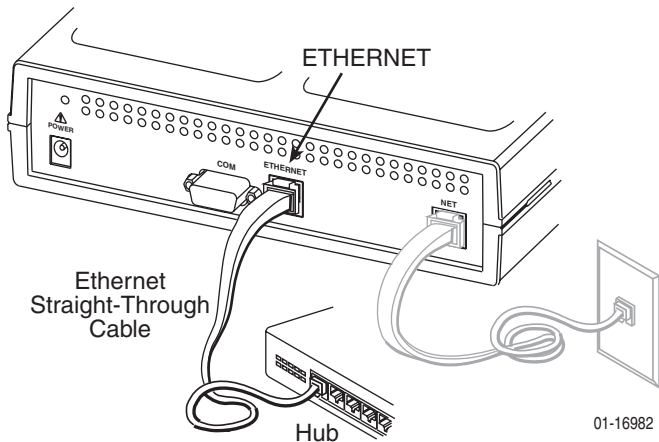
► Procedure

1. Use an 8-pin modular cable (supplied with U.S. models).

Insert one end of the cable into the jack labeled NET. Insert the other end into the wall jack for DSL data communications.



-
2. Use an 8-pin Ethernet cable for the Ethernet connection. Insert one end of the cable into the jack labeled **ETHERNET**.
- Use a straight-through cable to connect the other end of the cable to an Ethernet hub. Do not connect to the hub's optional Uplink connection with a straight-through cable; the Uplink connection requires an Ethernet crossover cable.

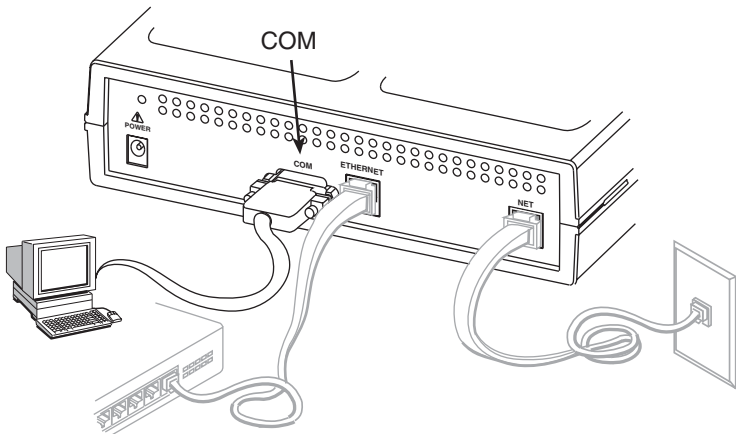


— or —

- Use an Ethernet crossover cable to connect to a PC with an Ethernet Network Interface Card (NIC) installed or a hub's Uplink connection.

-
3. Use a VT100-compatible asynchronous terminal or PC to set up management access to the unit. Insert the DB9 end of an EIA-232 cable into the router's COM port. Tighten the screws on each side of the connector. Insert the other end into the terminal or PC.

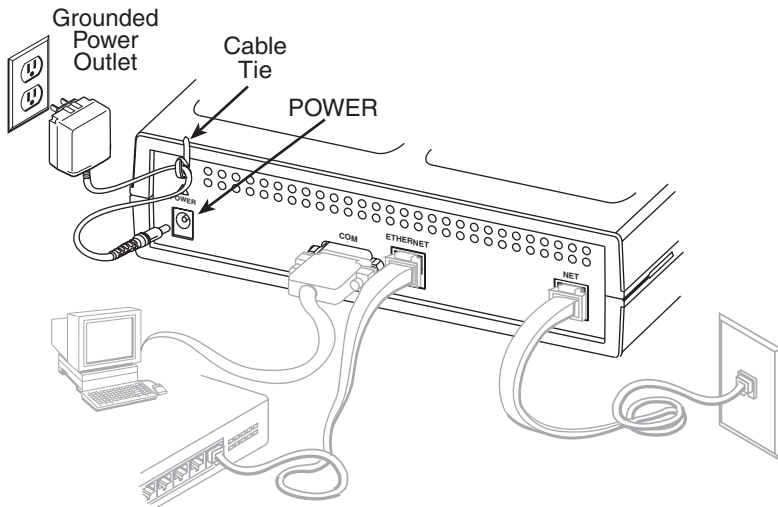
The terminal or PC's configuration must be compatible with the router's. Refer to the procedure on page 14 of *Configuration Setup*. If connecting an external modem to the COM port, use a standard crossover cable.



01-16983

-
4. Insert the supplied power cord's round end into the jack labeled POWER. Plug the transformer into an AC outlet.

Install the supplied tie wrap for strain relief, as shown.



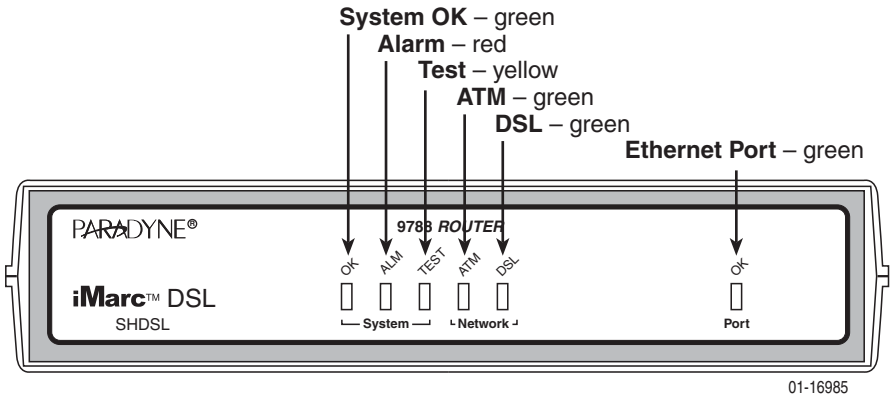
01-16984

Installation of the hardware is now complete. When the power cord is installed, the router goes through a power-on self-test.

Power-On

When power is applied, the router performs self-diagnostics and the PWR LED is on. The self-diagnostics include a power-on self-test where all of the LEDs are on.

Refer to *Status LEDs* on page 12 for information about the LEDs. Refer to *Troubleshooting* on page 13 for LED indications requiring action.



iMarc DSL 9788 Router

Status LEDs

After a successful self-test, the LEDs should appear as indicated in **BOLD** in the Condition column below.

LED	Condition	Status
System LEDs		
OK	ON	The router has power.
ALM	ON	An alarm condition exists.
	OFF	No alarms have been detected by the router.
TEST	ON	The router is performing the power-on self-test, or a test initiated by the service provider is currently active.
	OFF	No tests are active.
Network LEDs		
ATM	ON – Green	ATM LED is active and cell delineation is in sync.
	OFF	ATM mode is active and there is loss of cell delineation.
DSL	Blinking	The router is in start-up or is retraining. The LED blinks on and off about five times per second.
	ON	The DSL link is ready to transmit and receive data.
	OFF	No DSL link has been established, or the link is down.
Port LED		
OK	ON	The Ethernet port is transmitting and receiving data.
	OFF	Self-diagnostics have not been completed successfully.

Troubleshooting

LED Symptom	Action
All LEDs are on.	If the LEDs remain on for more than ten minutes, the router is not functional. Unplug the router and reapply power. If the ALM LED is still on, contact the service provider.
ALM LED only remains on.	The power-on self-test may have failed. Unplug the router and reapply power. If the alarm LED is still on, contact the service provider.
ALM and TEST LEDs are blinking.	Firmware download may be in progress. If firmware download is not in progress or the LEDs continue blinking for more than ten minutes, contact the service provider. <i>Do not unplug the unit, unless instructed to do so by the service provider.</i>
ATM LED is off while DSL LED is on.	There is loss of cell delineation (OCD) due to line impairments. Contact the service provider.
DSL LED is off.	Verify that the DSL cable is securely installed on both ends. Unplug the unit and reapply power. If the problem continues, contact the service provider.
DSL LED continues blinking after the power-on self-test has completed.	The router is attempting to establish the DSL link, or adjusting the DSL line rate due to line conditions. If the blinking continues for more than ten minutes, contact the service provider.
DSL and ATM LEDs are on, but no data is being transmitted.	The DSL link has been established, but there is no data transmission. Verify the Ethernet connection. If the problem persists, contact the service provider.
DSL, ATM, and Port LEDs are on, but no data is being transmitted.	DSL and Ethernet links have been established, but there is no data transmission. If the problem continues, contact the service provider.
Port LED is off.	Verify that the Ethernet cable is securely installed at both ends, and at least one PC is connected and powered on.
	Verify that the correct Ethernet straight-through or crossover cable is installed. Refer to Step 2 on page 8.
System OK LED is off.	Check that the power cord is securely installed on both ends.
	If no LEDs are on, the power supply may be defective. Test the outlet to verify power. If the outlet has power and the problem persists, contact your service representative.
	If other LEDs are on, the OK LED may be burned out. Unplug the unit and reapply power, and watch all LEDs as the router performs its power-on self-test. If the OK LED is functioning, call your service representative.
TEST LED is on.	A test initiated by the service provider may be active. Wait ten minutes. If the LED does not go off, contact the service provider.

Configuration Setup

Once the router is installed, it can be accessed locally through the menu-driven user interface via an asynchronous terminal or PC connection, or remotely via a Telnet session, and the router's interfaces can be provisioned. The following provisioning can be set up:

- **Frame relay, ATM, and physical layer provisioning** – Typically set up by the LEC (Local Exchange Carrier) or CLEC (Competitive LEC) using the menu-driven user interface via an ASCII terminal or PC running a terminal emulation program, or a Telnet session.
- **Router provisioning, using the CLI** – Typically accessed by the frame relay service provider providing managed router service, or by the end user.
- **SLM provisioning** – Typically set up by the frame relay service provider, LEC, or CLEC.

As soon as the router's COM port is connected to a terminal or PC, the menu-driven user interface can be accessed. The terminal or PC's configuration must be compatible with the router's COM port settings.

► Procedure

To access the menu-driven user interface:

1. Verify the terminal or PC's configuration:
 - Data Rate is set to 19.2 kbps.
 - Character Length is set to 8 data bits.
 - Parity is set to None.
 - Stop Bits is set to 1.
 - Flow Control is set to None.
2. Press Enter to display the Main Menu.

```
main
Device Name: Node A
```

```
9788-RtrSLV
6/05/2001 00:02
```

```
MAIN MENU
```

```
Status
Test
Configuration
Control
Easy Install
```

```
-----
Ctrl-a to access these functions, Shift-r to access the Router's CLI.  Exit
```

If the Main Menu does not appear:

- Press Enter again
- Check the terminal or PC settings
- Refer to *Troubleshooting* in the *iMarc SLV Operations Guide*.

Verifying that Self-Test Passed

To verify that the unit passed its self-test, go to the System and Test Status screen.

Main Menu → *Status* → *System and Test Status*

The results of the self-test appear directly under the screen title.

If any failure messages appear, reset the unit by disconnecting, then reconnecting the power cord. The unit will perform the self-test again. If the failure reappears, call your service representative for assistance.

Menu Navigation

The router should operate using the default (factory-set) configuration options. Refer to the following table for help in navigating the menus.

Press the . . .	To . . .
Esc key	Go back one screen or menu level. See <i>Menu Hierarchy</i> on page 17.
Tab key, and Up (↑), Down (↓), Left (←), Right (→) Arrow keys	Move the cursor from one menu item to the next.
Enter or Return key	Complete the menu or option selection.
Spacebar	Display the next available setting when changing a configuration option. All the available settings for an option appear at the bottom of the screen.

As an example, follow these steps to go to the Configuration Edit/Display menu so you can start setting up the unit.

► Procedure

To load a configuration for editing:

1. From the Main Menu, press the Tab key twice, or press the down (↓) arrow twice, so the cursor is on Configuration.
2. Press Enter to select Configuration. The Load Configuration From menu appears.
3. Press Enter to select Current Configuration (the cursor is already on this selection). The Configuration Edit/Display menu appears.

This sequence of steps would be shown as the menu selection sequence:

Main Menu → Configuration

► Procedure

To save configuration changes:

1. Press Ctrl-a to switch to the function keys area at the bottom of the screen.
2. Type **s** (Save) and press Enter. The Save Configuration To menu appears.
3. Press Enter again to save your changes to the Current Configuration (the cursor is already on this selection).

To continue configuring the router, press Esc until the Configuration Edit/Display menu reappears. To return to the Main Menu, press Ctrl-a, type **m** (MainMenu), and press Enter.

Menu Hierarchy

The Menu Hierarchy shows the organization of the iMarc unit's screens.

Status	System and Test Status	Self-Test Results Last Reset Health and Status Test Status
	IP Path Connection Status	Device Name IP Address Status Discovery Source
	PVC Connection Status	Source Link, DLCI, EDLCI Primary Destination Link, DLCI, EDLCI, Status
	Network Interface Status	Operating Rate Receiver Attenuation SNR Margin
	IP Routing Table	Destination Mask Gateway Hop Type Interface TTL
	Performance Statistics	Service Level Verification DLCI Frame Relay ATM VCC xDSL Line Ethernet Clear All Statistics
	Trap Event Log	Number of Trap Events Time of Day Event
	Display LEDs and Control Leads	
	Identity	System NAM

Test	Network PVC Tests	PVC Loopback Send Pattern Monitor Pattern Connectivity
	Network ATM Loopback Tests	ATM Ping
	Network Physical Tests	Transparent Pass-Through 511 Pattern
	IP Ping	
	Lamp Test	
	Abort All Tests	
Configuration	System	Class of Service Definitions Service Level Verification General
	Network	Physical Frame Relay Circuit Records ATM
	Virtual Router Ports	DLCI Records
	PVC Connections	Source Link, DLCI, EDLCI Primary Destination Link, DLCI, EDLCI
	IP Path List	Add and Display Static Paths
	Management and Communication Options	Node IP Management PVCs General SNMP Management Telnet and FTP Sessions SNMP NMS Security SNMP Traps Ethernet Management Communication Port External Modem (Com Port)

Control**System Information**

Device Name
System Name, Location, Contact
ATM Location ID
Date
Time

Administer Logins

Login ID
Password
Access Level

Change Operating Mode

Back-to-Back Mode
Standard Mode

Select Software Release

Current Release
Alternate Release
Switch & Reset

Reset Device

Easy Install

DSLAM Type
Node IP Address
Node Subnet Mask
TS Access
Create Dedicated Network Mgmt Link
Ethernet Port Options Screen
Network 1 DSL Line Rate
Network 1 FRF.8 Encapsulation Mode

Using the Easy Install Feature

An Easy Install screen is provided for custom configurations, but you are not required to use it for normal installation. You can configure the router by making selections from the Configuration Edit/Display menu.

► Procedure

1. Select the Easy Install feature.

Main Menu → Easy Install

Easy Install Screen Example

```
main/easy_install                               9788-RtrSLV
Device Name: Node A                             6/5/2001 00:01

                                EASY INSTALL

Node IP Address:                               000.000.000.000   Clear
Node Subnet Mask:                             000.000.000.000   Clear
TS Access: VPI,VCI                             0,35

Create a Dedicated Network Management Link
Ethernet Management Options Screen

Network 1 DSL Line Rate Mode                   Fixed
Network 1 DSL Line Rate (Kbps)                 784
Network 1 FRF.8 Encapsulation Mode             Transparent

-----
Ctrl-a to access these functions, ESC for previous menu   MainMenu   Exit
Save
```

2. Enter the Node IP Address and Subnet Mask.
3. Specify TS Access if a Troubleshooting (TS) DLCI or Virtual Circuit (VC) is being set up for remote access by the service provider. The default is 0,35.
4. Select Create a Dedicated Network Management Link to set up for permanent remote access by the NOC. Enter a DLCI, VPI, and VCI at the resulting prompts.

-
5. Select the Ethernet Management Options Screen to go directly to the Ethernet Management Options screen. The interface (Status) is already enabled.
 - Enter the IP Address (for example, 10.101.51.253) and Subnet Mask (for example, 255.255.255.0) for the Ethernet interface.
 - Enter the Default Gateway Address (the IP Address that will be used for packets without a specified route).
 - Press the Esc key to return to the Easy Install screen.
 6. Change Network 1 DSL Line Rate (Kbps), if desired. The default is AutoRate.
 7. Save the configuration and return to the Configuration Edit/Display menu.

Completing Setup From the NOC

► Procedure

1. Access the router on the TS Management Link that was set up at the remote site in Step 4 of *Using the Easy Install Feature*.
2. Ping the router five times within five seconds. The router automatically provisions the TS Access VC and accepts the destination IP address of the Ping as its temporary IP address, which is used on the management VC interface.
3. If necessary, open a Telnet session and configure any specific configuration options that require input or changes from default settings. Create all customer VCs, including internal DLCIs and VPI/VCI on the DSL interface, and cross-connect the DLCIs to the VCCs.

Configuring SNMP Trap Managers and Traps

► Procedure

To enter SNMP managers and configure traps:

1. Select SNMP Traps.
 - Main Menu → Configuration → Management and Communication → SNMP Traps*
2. Configure the following:
 - Enable SNMP Traps.
 - Identify the total Number of Trap Managers.
 - Specify the IP address for each NMS Trap Manager to which traps will be sent.
 - Specify the Initial Route Destination for each Trap Manager. The default is AutoRoute.
 - Select or disable trap categories, as needed.
3. Save the configuration.

Setting Up for In-Band Management

If FRF.8 Encapsulation Mode is set to Translational, remote management of the router can still be accomplished in-band, as indicated in the following procedure.

Before you use the following procedure, verify that:

- The router's Ethernet interface has already been assigned an IP address that is in the same subnet as the management IP address entered in Step 5 on page 21 of *Using the Easy Install Feature*
- The router is not configured for bridging only

Refer to the *iMarc SLV Configuration Reference* and *iMarc SLV Router Command Line Interface* for additional information.

► Procedure

1. Create a DLCI on the router virtual port.

Configuration → Virtual Router Ports → DLCI Records

Assign the DLCI number that will be used for management on Serial port 0 (Rtr-S0 – e.g., DLCI 900).

2. Create a management PVC using the DLCI just configured on Serial port 0 to connect the management link to the router.

Configuration → Management and Communication → Management PVCs

Using the DLCI 900 example, make the following connection:

- Select Name: Mgmt900
 - Intf IP Address: Special, and add the IP address for the Ethernet interface in Step 5 on page 21 of *Using the Easy Install Feature*.
 - Intf Subnet Mask: Special, and add the Subnet Mask for the Ethernet interface in Step 5 on page 21 of *Using the Easy Install Feature*.
 - Set DE: Leave at the default, Disable.
 - Primary Link: Select Rtr-S0.
 - Primary DLCI: Select 900.
3. Return to the Main Menu and press Shift-r to access the router's CLI.
 4. From the CLI, enable password and show the router's configuration.

```
en
show config
```

A list of the router's configuration is shown, most of the configuration already completed using the default values.

```
interface serial 0.900
ip unnumbered
frame-relay interface-dlci 900
no bridge-group 1
exit
```

5. Add the route to the routing table.

```
config t
ip route 10.101.51.253 255.255.255.255 Serial 0.900
save
exit
```

6. Ping the Ethernet management interface to verify that the router can be reached.

```
ping 10.101.51.253
exit
```

The router is now set up for in-band management.

Verifying the End-to-End Management Path

After installation of a remote router, run an ATM Ping test from the Hotwire GrandSLAM.

► Procedure

To Ping the router:

1. From the Hotwire ATM Line Card's Main Menu, select the ATM Ping test.

Diagnostics → ATM Ping (D-C)

2. Enter a VPI of 0 and a VCI of 35.
3. Select a Direction of Endpoint, then Start.
4. If the test is successful, select a Direction of Network, then Start.

If both tests are successful, the VC has been tested from end to end.

Checking That Data is Being Received

► Procedure

To verify that data is being received:

1. From the router's Main Menu, select frame relay performance statistics.

Main Menu → Status → Performance Statistics → Frame Relay

2. Repeatedly Refresh the screen to:
 - Verify that the counts for Frames Received and Characters Received under the Frame Relay Link statistics are increasing.
 - Verify that there are no errors under Frame Relay Errors.

If data is not being received or you are receiving errors, check your cable connections and replace or repair a damaged cable.

3. Return to the Status menu.

Checking PVC Connections

Check PVC connections to verify that all PVCs, including management PVCs, are configured and active.

► Procedure

To verify PVCs:

1. Select PVC Connection Status from the Status menu.

The PVC Connection Status screen shows all PVC connections, the interface source and DLCI number of the incoming data linked to the interface, and DLCI number for the outgoing data. You can also see whether the PVC is active.

2. Verify that each PVC is active.
 - If active, the router should be passing data.
 - If not active, no data traffic can be carried by the PVC. If the PVC is configured correctly, the circuit may be down.

Provisioning the Router Interface

The iMarc DSL Router defaults to bridge mode. Routing without bridging, and simultaneous routing and bridging, are also options.

Use the bridge command from the router's CLI to configure the bridge and routing attributes. Also, enter an Ethernet IP address and a DHCP IP address. Refer to *iMarc SLV Router Command Line Interface* for additional information.

Important Safety Instructions

1. Read and follow all warning notices and instructions marked on the product or included in the manual.
2. Slots and openings in the cabinet are provided for ventilation. To ensure reliable operation of the product and to protect it from overheating, these slots and openings must not be blocked or covered.
3. Do not allow anything to rest on the power cord and do not locate the product where persons will walk on the power cord.
4. Do not attempt to service this product yourself, as opening or removing covers may expose you to dangerous high voltage points or other risks. Refer all servicing to qualified service personnel.
5. General purpose cables are used with this product for connection to the network. Special cables, which may be required by the regulatory inspection authority for the installation site, are the responsibility of the customer. Use a UL Listed, CSA certified, minimum No. 24 AWG line cord for connection to the Digital Subscriber Line (DSL) network.
6. When installed in the final configuration, the product must comply with the applicable Safety Standards and regulatory requirements of the country in which it is installed. If necessary, consult with the appropriate regulatory agencies and inspection authorities to ensure compliance.
7. A rare phenomenon can create a voltage potential between the earth grounds of two or more buildings. If products installed in separate buildings are **interconnected**, the voltage potential may cause a hazardous condition. Consult a qualified electrical consultant to determine whether or not this phenomenon exists and, if necessary, implement corrective action prior to interconnecting the products.
8. Input power to this product must be provided by one of the following: (1) a UL Listed/CSA certified power source with a Class 2 or Limited Power Source (LPS) output for use in North America, or (2) a certified transformer, with a Safety Extra Low Voltage (SELV) output having a maximum 240 VA available, for use in the country of installation.
9. In addition, if the equipment is to be used with telecommunications circuits, take the following precautions:
 - Never install telephone wiring during a lightning storm.
 - Never install telephone jacks in wet locations unless the jack is specifically designed for wet locations.
 - Never touch uninsulated telephone wires or terminals unless the telephone line has been disconnected at the network interface.
 - Use caution when installing or modifying telephone lines.
 - Avoid using a telephone (other than a cordless type) during an electrical storm. There may be a remote risk of electric shock from lightning.
 - Do not use the telephone to report a gas leak in the vicinity of the leak.

Government Requirements

Certain governments require that instructions pertaining to connection to the telephone network be included in the installation and operation manual. Specific instructions are listed in the following sections.

CE Marking

When the product is marked with the CE mark on the equipment label, a supporting Declaration of Conformity may be downloaded from the Paradyne World Wide Web site at www.paradyne.com. Select *Library* → *Technical Manuals* → *CE Declarations of Conformity*.

EMI Notices

UNITED STATES – EMI NOTICE:

This equipment has been tested and found to comply with the limits for a Class A digital device, pursuant to Part 15 of the FCC rules. These limits are designed to provide reasonable protection against harmful interference when the equipment is operated in a commercial environment. This equipment generates, uses, and can radiate radio frequency energy and, if not installed and used in accordance with the instruction manual, may cause harmful interference to radio communications. Operation of this equipment in a residential area is likely to cause harmful interference in which case the user will be required to correct the interference at his own expense.

The authority to operate this equipment is conditioned by the requirements that no modifications will be made to the equipment unless the changes or modifications are expressly approved by Paradyne Corporation.

CANADA – EMI NOTICE:

This Class A digital apparatus meets all requirements of the Canadian interference-causing equipment regulations.

Cet appareil numérique de la classe A respecte toutes les exigences du règlement sur le matériel brouilleur du Canada.

Warranty, Sales, Service, and Training Information

Contact your local sales representative, service representative, or distributor directly for any help needed. For additional information concerning warranty, sales, service, repair, installation, documentation, training, distributor locations, or Paradyne worldwide office locations, use one of the following methods:

- **Internet:** Visit the Paradyne World Wide Web site at www.paradyne.com. (Be sure to register your warranty at www.paradyne.com/warranty.)
- **Telephone:** Call our automated system to receive current information by fax or to speak with a company representative.
 - Within the U.S.A., call 1-800-870-2221
 - Outside the U.S.A., call 1-727-530-2340

Document Feedback

We welcome your comments and suggestions about this document. Please mail them to Technical Publications, Paradyne Corporation, 8545 126th Ave. N., Largo, FL 33773, or send e-mail to userdoc@paradyne.com. Include the number and title of this document in your correspondence. Please include your name and phone number if you are willing to provide additional clarification.

Trademarks

FrameSaver, Hotwire, and OpenLane are registered trademarks of Paradyne Corporation. GrandSLAM and iMarc are trademarks of Paradyne Corporation. All other products and services mentioned are the trademarks, service marks, registered trademarks, or registered service marks of their respective owners.

Patent Notification

iMarc products are protected by U.S. Patents: 5,550,700 and 5,654,966. Other U.S. patents pending.



9788-A2-GN11-20